

Precision Router-Table Insert Plate INSTALLATION INSTRUCTIONS



INSTRUCTIONS POUR L'INSTALLATION INSTRUCCIONES DE INSTALACIÓN

Item # PRS4034

[Fits Triton TRA001 and MOF001]

Item # PRS4036

[Fits Bosch 1617, Porter-Cable 690 and 890 series]

Item # PRS4038

[Not drilled].

Article #PRS4034

(Convient aux modèles Triton TRA001 et MOF001)

Article #PRS4036

(Convient à la série 1617 de Bosch et aux séries 690 et 890 de Porter-Cable)

Article #PRS4038

(Non percé).

Artículo # PRS4034

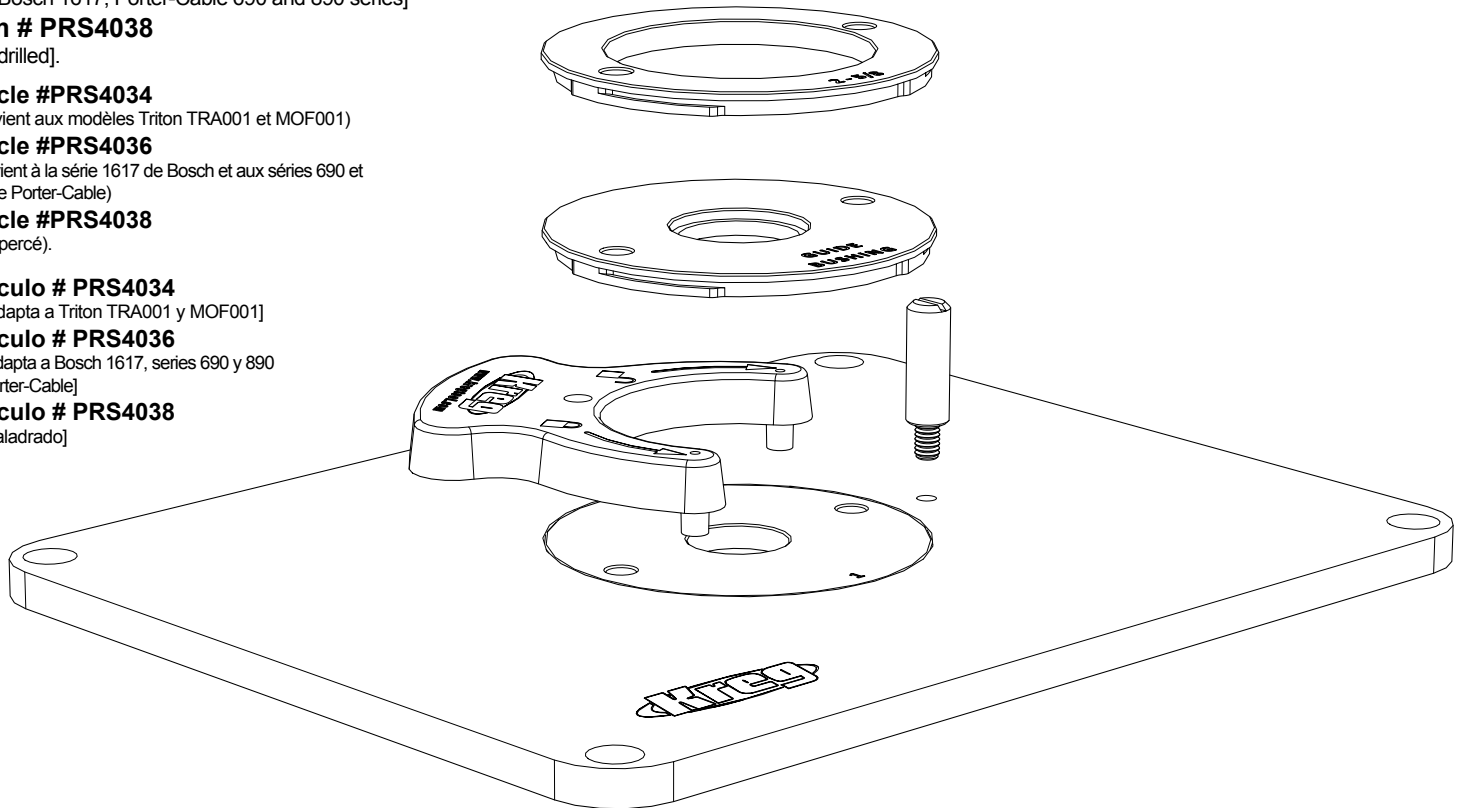
[Se adapta a Triton TRA001 y MOF001]

Artículo # PRS4036

[Se adapta a Bosch 1617, series 690 y 890 de Porter-Cable]

Artículo # PRS4038

[Sin taladrado]



Tools Required:

- Phillips Screwdriver
- Masking Tape
- Double-faced Tape
- Drill press
- Drill Bits, Countersink Bit
- Router, top-bearing pattern bit

Parts:

- Insert Plate
- (3) Reducing Rings: 1", 1 $\frac{3}{16}$ " (guide bushing), 2 $\frac{5}{8}$ "
- Ring Wrench
- (4) 1/4-20 x 1 $\frac{3}{4}$ " flathead machine screws (lock-down screws)
- 1/4-20 x 3/4" set screw
- Brass starting pin
- 1/8" hex wrench
- Router-base mounting screws (pre-drilled insert plates only)

Outils nécessaires :

- Tournevis cruciforme
- Ruban-cache
- Ruban adhésif à double face
- Perceuse à colonne
- Forets, fraise
- Toupie, fraise à roulement à billes supérieur

Pièces :

- Plaque d'insertion
- 3 anneaux de réduction : 1 po, 1 3/16 po (douille de guidage), 2 5/8 po
- Clé pour anneau
- 4 vis à métaux à tête plate de 1/4-20 x 1 3/4 po (vis de verrouillage)
- Vis de calage de 1/4-20 x 3/4 po
- Cheville de départ en laiton
- Clé hexagonale de 1/8 po
- Vis de montage pour la base de la toupie (plaques d'insertion prépercées uniquement)

Herramientas necesarias:

- Destornillador Phillips
- Cinta adhesiva
- Cinta de doble faz
- Prensa de taladrar
- Brocas para taladro, broca para avellanar
- Rebajadora, broca para diseño de rodamiento superior

Piezas:

- Placa de accesorio
- (3) anillos reductores: 1", 1 $\frac{3}{16}$ " (conector de la guía), 2 $\frac{5}{8}$ "
- Llave de tuerca de anillo
- (4) tornillos de cabeza plana (tornillos para fijación) de 1/4-20 x 1 $\frac{3}{4}$ "
- Tornillo de ajuste de 1/4-20 x 3/4"
- Pasador de inicio de latón
- Llave de tuercas hexagonal de 1/8"
- Tornillos de montaje para base de rebajadora (solo placas de accesorio pretaladrados)

WARNING Read, understand, and follow your router manufacturer's instructions in addition to the safety precautions below to reduce risk of fire, electric shock, and personal injury. Read all these instructions before attempting to operate this product. **SAVE THESE INSTRUCTIONS.**

1) Work area safety

- Keep work area clean and well lit.** Cluttered or dark areas invite accidents.
- Don't use power tools in a dangerous environment.** Don't use power tools in damp or wet locations, or expose them to rain.
- Do not operate power tools in explosive atmospheres, such as in the presence of flammable liquids, gases or dust.** Power tools create sparks that can ignite the fumes or dust.
- Keep children and bystanders away while operating a power tool.** Distractions can cause you to lose control.
- Make your workshop child proof.** Use padlocks, master switches, or remove starter keys.

2) Electrical safety

- Ground electric tools. If the tool is equipped with a three-prong plug, it must be plugged into a grounded three-hole electrical outlet.** If the proper outlet is not available, have one installed by a qualified electrician. Never remove the third prong or modify the provided plug in any way.
- Do not expose power tools to rain or wet conditions.** Water entering a power tool increases the risk of electric shock.
- Do not abuse the cord. Never use the cord for carrying, pulling or unplugging the power tool. Keep cord away from heat, oil, sharp edges or moving parts.** Damaged or entangled cords increase the risk of electric shock.
- Use a proper extension cord and make sure it is in good condition.** When using an extension cord, be sure to use one heavy enough to carry the current your power tool draws. An undersized cord causes a drop in line voltage resulting in loss of power and overheating. Table 1 shows the correct cord gauge to use depending on cord length and tool nameplate ampere rating. If in doubt, use the next heavier gauge. The smaller the gauge number, the heavier the cord.
- When operating electric tools, avoid body contact with grounded or earthed surfaces such as pipes, radiators, kitchen ranges, and refrigerators.** Contact with a grounded surface increases the risk of electric shock.

3) Personal safety

- Stay alert, watch what you are doing and use common sense when operating a power tool. Do not use a power tool while you are tired or under the influence of drugs, alcohol or medication.** A moment of inattention while operating power tools can result in serious personal injury.
- Always wear safety glasses.** Everyday eyeglasses are not safety glasses. Safety glasses have specially constructed lenses, frames, and side shields.
- Use safety equipment.** Use a face or dust mask when the cutting operation is dusty. Safety equipment such as a dust mask, non-skid safety shoes, hard hat, or hearing protection used for appropriate conditions reduces personal injuries.
- Avoid accidental starting. Make sure the switch is in the off-position before plugging in.** Carrying power tools with your finger on the switch or plugging in power tools that have the switch on invites accidents.
- Remove any adjusting key or wrench before turning the power tool on.** A wrench or a key left attached to a rotating part of the power tool can result in personal injury.
- Do not overreach. Keep proper footing and balance at all times.** This enables better control of the power tool in unexpected situations.
- Secure workpieces.** Use clamps or a vise to hold work when practical. This is safer than using your hand and it frees both hands to operate the tool.
- Never stand on the machine.** Serious injury can occur if the tool tips or if the cutting tool is unintentionally contacted.
- Dress properly. Do not wear loose clothing or jewelry. Keep your hair, clothing and gloves away from moving parts.** Loose clothes, jewelry or long hair can be caught in moving parts. Roll up long sleeves to the elbow. Wear protective hair covering to contain long hair.
- If devices are provided for the connection of dust extraction and collection equipment, ensure these are connected and properly used.** Use of these devices reduces dust-related hazards.

4) Power tool use and care

- Keep guards in place and in working order.**

- Do not force the power tool. Use the correct power tool for your application.** The correct power tool will do the job better and safer at the rate for which it was designed.
- Use the right tool.** Don't force a tool or attachment to do a job for which it was not designed.
- Do not use the power tool if the switch does not turn it on and off.** Any power tool that cannot be controlled with the switch is dangerous and must be repaired.
- Disconnect the plug from the power source and/or the battery pack from the power tool before making any adjustments, changing accessories, or storing power tools.** Such preventive safety measures reduce the risk of starting the power tool accidentally.
- Never leave a tool running unattended. Turn power off.** Don't leave the tool until it comes to a complete stop.
- Store idle power tools out of the reach of children and do not allow persons unfamiliar with the power tool and these instructions to operate the power tool.** Power tools are dangerous in the hands of untrained users.
- Maintain power tools. Check for misalignment or binding of moving parts, broken parts, and any other condition that can affect power tool operation. If damaged, have the power tool repaired before use.** Many accidents are caused by poorly maintained power tools.
- Keep cutting tools sharp and clean.** Properly maintained cutting tools with sharp cutting edges are less likely to bind and are easier to control.
- Use the recommended speed for the cutting tool or accessory and workpiece material.**
- Only use parts and accessories recommended by the manufacturer.** Consult the owner's manual for recommended accessories. Using improper accessories can cause personal injury.
- Use the power tool, accessories, and tool bits in accordance with these instructions and in the manner intended for the particular type of power tool, taking into account the working conditions and the work to be performed.** Use of the power tool for operations different from those intended can result in a hazardous situation.

5) Service

- Have your power tool serviced by a qualified repair person using only identical replacement parts.** This ensures that the safety of the power tool is maintained.

6) SAFETY INSTRUCTIONS SPECIFIC TO USING A ROUTER TABLE FITTED WITH A PRECISION ROUTER TABLE-INSERT PLATE

- Read, understand, and follow your router manufacturer's safety warnings and instructions.**
- Disconnect the router from power before making adjustments.** Never adjust the fence, plate, reducing rings, or any part of the router or router table while the router is running.
- Place the router table on a flat surface to prevent tipping or sliding.** Never stand on the router table.
- Do not attempt to rout warped, twisted, or bowed workpieces.** All workpieces must have flat faces and square edges.
- Do not attempt to rout very large workpieces on a router table.** Very large workpieces can be difficult to control and can cause the router table to tip over.
- Only use router bits in your router.** Never use tools such as carving burrs, mounted abrasives, wire wheels, or drill pits, even if the shanks match the diameter of the router collet.
- Wear gloves when handling router bits.** Cutting edges are sharp.
- Never use dirty, dull, or damaged router bits.** Remove wood-resin build-up with a cleaner specifically formulated for cutting tools. Have dull bits sharpened by a qualified person. Discard damaged bits.
- Make sure at least 75% of the router-bit shank length is securely held in the router collet.** To ensure a secure hold, leave 1/16" to 1/8" (2mm-3mm) between the end of the bit shanks and the bottom of the collet.
- Use the insert-plate reducing ring with the smallest opening that allows the bit to pass through it.** A large gap around the bit can allow the workpiece to tip into the bit and kick back.

- k) **Position the fence faces as close as possible to the bit.**
Turn the bit by hand to check for interference. Firmly tighten the fence-face T-knobs before routing.
- l) **Adjust router speed to match the diameter of the bit.** Reduce router speed when using large-diameter bits. See **Table 2** for recommended router speeds.
- m) **Make sure the router motor is securely clamped in the base before starting the router.**
- n) **Always support the workpiece with the fence or start pin.**
Only use the starter in with router bits that have a guide bearing.
- o) **When using the fence, always position the bit guard over the router bit and as close to the workpiece surface as possible.**
- p) **Never remove a large quantity of stock in one cut.** Make several progressively deeper cuts, adjusting the router bit or fence position between cuts.
- q) **Keep hands away from the rotating bit and your body out of the path of the cut.** Always use the bit guard, use push sticks, push blocks, and feather boards whenever possible, especially when routing narrow workpieces.
Turn off the router before clearing parts of scrap.
- r) **Avoid awkward hand positions, where a sudden slip could cause contact with the rotating bit.** Never overreach.
- s) **Avoid routing small parts.** Rout the profile on a large workpiece and then cut the part to final size from the large workpiece. If you must rout a small part, build an appropriate jig or hold the part with a wood handscrew clamp.
- t) **Make sure the workpiece is clear of the bit and the bit comes to a complete stop before adjusting the workpiece position.** Never start the router with the workpiece in contact with the bit.
- u) **Avoid kickbacks. Kickbacks occur when the workpiece binds or lifts off the table while being routed, causing it to be thrown back toward the operator.** To avoid kickbacks and potential injury, use sharp bits, keep the machine aligned and maintained properly, and adequately support the workpiece. Do not attempt to rout workpieces that are twisted, warped, or bowed, or that have loose knots.
- v) **Feed the workpiece against (not with) the bit rotation.** The bit can grab a workpiece fed with the rotation of the bit, violently eject it from the router table, and can cause your hand to contact the bit.
- w) **Never trap a workpiece between the bit and the fence.** When forming a profile on the straight edge of a workpiece, always rout with the bit housed in the fence and the edge of the workpiece against the fence.
- x) **Whenever routing a profile in which material is not being removed below a protruding portion of the bit, or a part of the profile is trapped between cutters above and below, take extra precautions to prevent the workpiece from lifting off the table surface during routing.** A workpiece lifting off the table can kick back and cause serious personal injury. When routing these profiles, it is especially important to use straight, flat stock and avoid warped, bowed, or twisted stock.
- y) **Periodically check the tightness of fasteners and adjustment and locking knobs and the alignment of the fence.** Loose fasteners and knobs and a misaligned fence can cause personal injury.
- z) **This router table insert is designed for a specific application. Do not modify and or use it for any other application.** If you have questions relative to the application of the insert, DO NOT use it until you have contacted Kreg Tool Company and have been advised accordingly.

Guidelines for extension cord use

Extension cords are only to be used for temporary purposes. They do not replace the need for installation of outlets and proper wiring where necessary.

In the shop and on construction sites:

1. Extension cords with an equipment grounding conductor must be used at all times.
2. Extension cords must be protected from damage, and not run through doorways or windows where the doors or windows can close, causing damage to the cord.
3. Extension cords must be a minimum of 16 AWG and be rated for the equipment in use.
4. Extension cords must be periodically inspected to ensure that the insulation and conductivity of the wires are not compromised.
5. Extension cords should not be run through water or allowed to have connections that may be exposed to accumulated water.

TABLE 1

Nameplate Amperes @120 V	Extension Cord Length					
	25'	50'	75'	100'	150'	200'
	Recommended Wire Gauge					
0 -5	16	16	16	14	12	12
5.1 - 8	16	16	14	12	10	NR
8.1 -12	14	14	12	10	NR	NR
12.1 - 16	12	12	NR	NR	NR	NR

NR – Not Recommended

TABLE 2

Recommended Router Bit Speeds	
Bit Diameter	Maximum Speed (RPM)
Up to 1" (25mm)	24,000
1¼" to 2" (32mm-51mm)	18,000
2¼" to 2½" (57mm-64mm)	16,000
3" to 3½" (76mm-89mm)	12,000

Always follow bit manufacturer's speed recommendations. Some bit designs require specific speeds for safety or performance.

⚠ WARNING: This product can expose you to chemicals including Acrylonitrile and other chemicals, which are known to the State of California to cause cancer and reproductive harm. For more information go to www.P65Warnings.ca.gov.

⚠ WARNING: Drilling, sawing, sanding or machining wood products can expose you to wood dust, a substance known to the State of California to cause cancer. Avoid inhaling wood dust or use a dust mask or other safeguards for personal protection. For more information go to www.P65Warnings.ca.gov/wood.

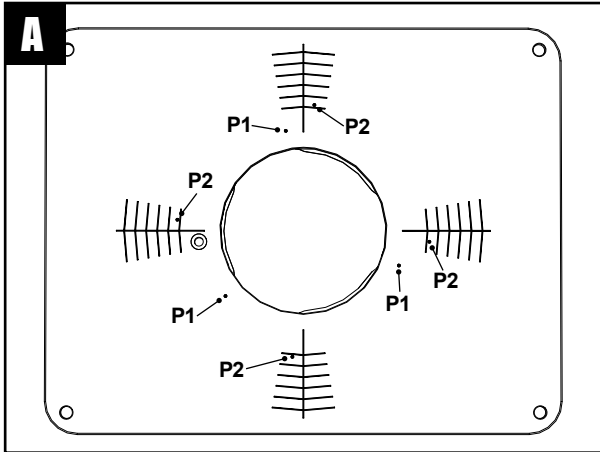
Before you start...

These instructions show you how to mount your router on the Kreg Precision Router-Table Insert Plate and install the insert plate in a shop-built router table. There are two installation methods:

- Create an opening with a rabbeted edge that accepts the insert plate.
- Create a straight-sided opening and install Kreg Precision Router Table Insert Plate Levelers (sold separately).

PRS4034 and PRS4036 insert plates are pre-drilled to accept most Triton, Bosch, and Porter-Cable routers. For these plates, simply fasten your router base to the insert plate using the screws provided with the plate.

Drill the Insert Plate.



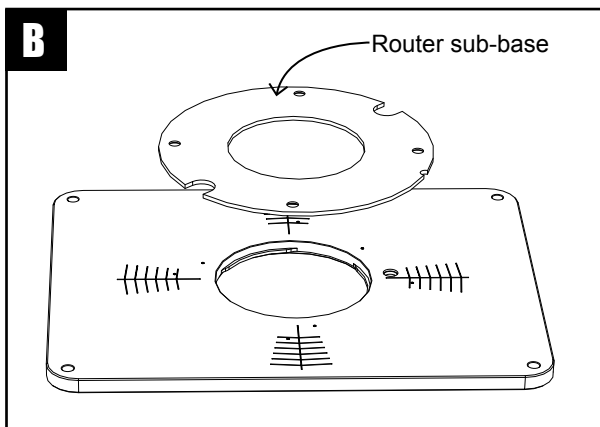
1. PRS4038 has center points molded into the bottom face for drilling mounting holes for the following routers [**Drawing A**]:

Pattern 1 (three holes): Bosch 1617 and 1618; DeWalt 616 and 618; Hitachi M12VC; Makita 1100; Milwaukee 5616 and 5624; Porter-Cable 690, 890, 7529, 97529, and 8529; and Ridgid 2930 Combo Kit.

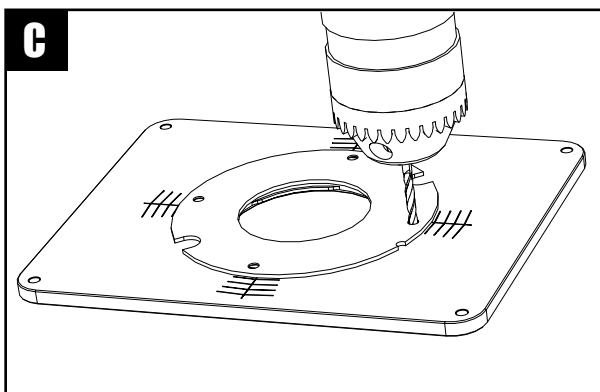
Pattern 2 (four holes): Milwaukee 5625-20; Porter-Cable 7518, 7519, 7538, and 7539; and Triton TRA001 and MOF001.

Drill holes and counterbores or countersinks to accommodate the mounting screws supplied with the router. For routers equipped with a built-in lift system, use the router sub-base as a guide for the location and size of the access hole and as a drilling guide.

For routers not covered by **Pattern 1** or **Pattern 2**, follow **Steps 2** and **3** below.

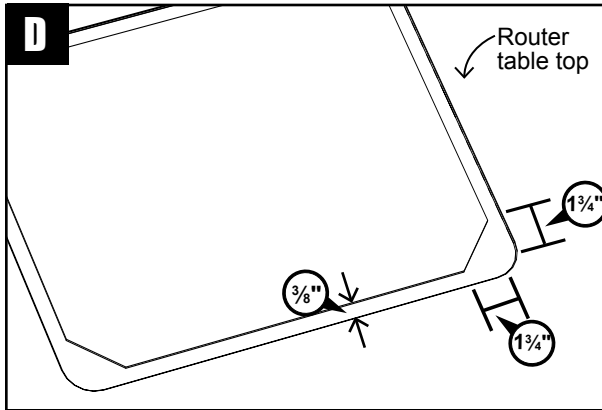


2. Place the insert plate on your workbench with the target pattern facing up. Remove the sub-base from your router and select a drill bit that fits the mounting holes. If your router is equipped with a built-in lift system, also select a bit that fits the lift-access hole. Apply several small pieces of double-faced tape to the sub-base. Center the sub-base on the insert plate, using the target pattern as a guide [**Drawing B**]. Keep in mind where you want the router controls positioned. Make sure that none of the holes you are about to drill align with the threaded hole for the starting pin. Press the sub-base firmly onto the insert plate.



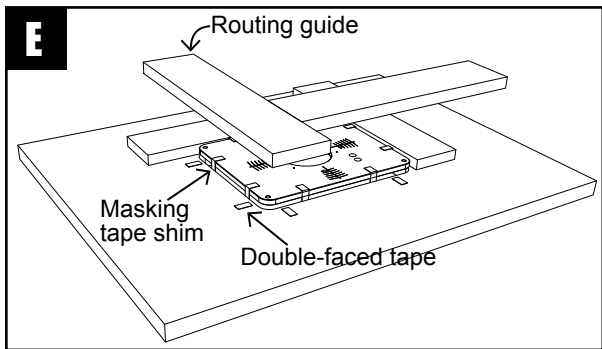
3. Place a scrapwood backer board under the insert plate and securely clamp the insert plate and backer to your drill-press table. Using the holes in the sub-base as guides, drill holes in the insert plate [**Drawing C**]. With the holes drilled, remove the sub-base from the insert plate. Flip the insert plate over and countersink the mounting holes so the mounting-screw heads sit slightly below the plate surface when tightened. Store the router sub-base in a convenient place. You will need it when you remove your router from the router table for hand-held routing.

Form the insert-plate opening in your router table top

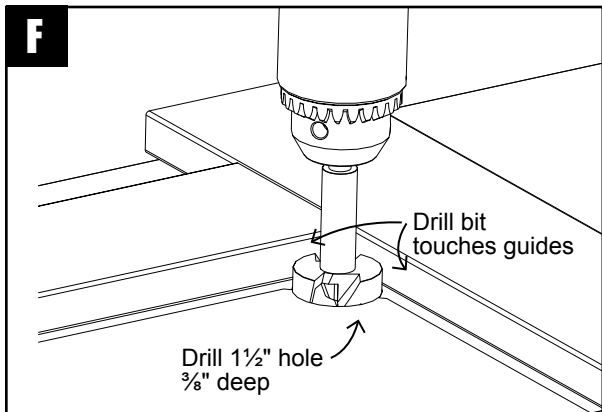


Rabbeted opening method

1. Position the insert plate on your router table top, squaring the plate with the table. Trace around the plate with a pencil. Remove the plate. To form areas to anchor the four $\frac{1}{4}$ -20 x $1\frac{3}{4}$ " flathead machine screws (lock-down screws) that secure the insert plate to the router table top, draw 45° lines across each corner of the outline to form triangles with $1\frac{3}{4}$ "-long legs [Drawing D]. Draw lines $\frac{3}{8}$ " inside and parallel to the traced insert-plate outline.

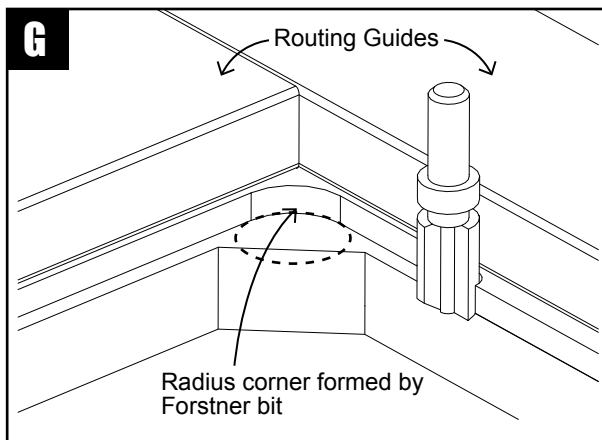


2. To provide clearance for installing and removing the insert plate, adhere strips of masking tape to all four edges of the plate. Then apply small pieces of double-faced tape to one face. (Use just enough tape to keep the plate in place. Too much tape will make the plate hard to remove later.) Reposition the insert plate on your router table top and firmly press it into place.



3. Cut four $\frac{3}{4}$ x $3\frac{1}{2}$ x $15\frac{1}{2}$ " scrapwood routing guides. Apply double-faced tape and adhere the routing guides to the router table top with the edges against the masking tape strips on the insert plate edges [Drawing E]. Remove the plate. Chuck a $1\frac{1}{2}$ " Forstner bit into your drill press. Drilling test holes in the area of the router-table top you'll remove for the insert plate, set the drilling depth to $\frac{3}{8}$ ". With the edge of the bit just touching the inside faces of the routing guides, drill a $\frac{3}{8}$ "-deep hole into the router-table top at each corner [Drawing F].

4. Drill a blade-start hole inside the pencil lines. With the outside edge of your jigsaw base riding on the routing guides and the inside edge supported by a $\frac{3}{4}$ "-thick scrapwood block, cut just inside the lines, leaving the $\frac{3}{8}$ "-wide area inside the insert-plate outline as well as the triangular areas at each corner.

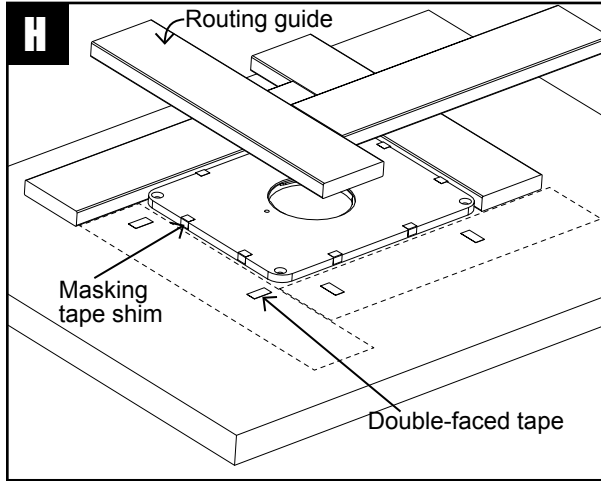


5. Chuck a top-bearing pattern bit with a $\frac{3}{4}$ " cutting length into your router. Adjust the cutting depth to the thickness of the insert plate plus the routing guide. Make test cuts in scrap stock to ensure that the cut depth exactly matches the thickness of the insert plate. Rout the perimeter rabbet and the corner triangles in several passes until the pattern-bit guide bearing runs smoothly against the edges of the routing guides [Drawing G]. Be sure to stop routing along each side where the $\frac{3}{4}$ "-radius corners formed by the drilled holes meet the routing guides. Carefully remove one routing guide and test-fit the insert plate in the opening. If the rabbet is too shallow, replace the guide, adjust the routing depth, and re-rout the rabbet. A too-deep rabbet can be shimmed with tape. When satisfied with the fit, remove the routing guides.

6. With the insert plate in place, use the countersunk corner holes as guides to drill $\frac{1}{4}$ " holes through the triangular corner areas in the table top. Secure the plate with the lock-down screws and your own washers and hex nuts or wing nuts. For greater convenience, remove the insert plate, enlarge the holes in the table top, and install T-nuts.

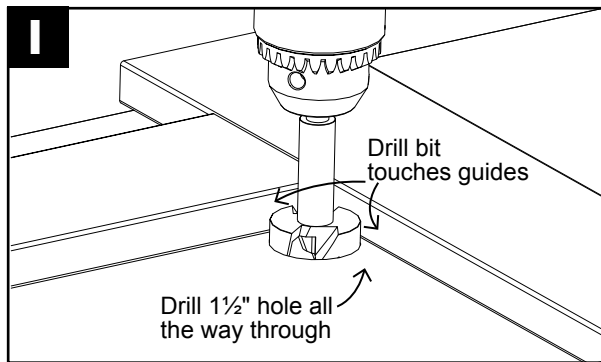
Kreg Precision Router Table Insert Plate Levelers method

! ATTENTION! This method requires the purchase of Kreg Precision Router Table Plate Levelers from your Kreg dealer. These levelers feature eight leveling screws that work with four lock-down screws to keep the insert plate flush with the router-table surface.

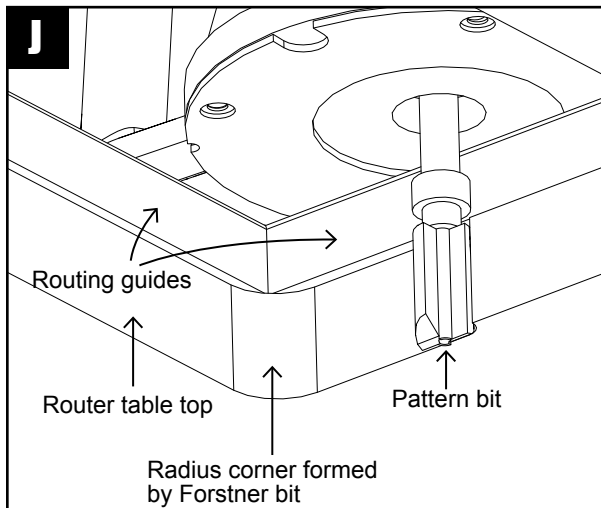


1. To provide clearance for installing and removing the insert plate, adhere strips of masking tape to all four edges of the plate. Then apply small pieces of double-faced tape to one face. (Use just enough tape to keep the plate in place. Too much tape will make the plate hard to remove later.) Position the insert plate on your router table top, squaring the plate with the table, and firmly press it into place.

2. Cut four $\frac{3}{4}$ x $3\frac{1}{2}$ x $15\frac{1}{2}$ " scrapwood routing guides. Apply double-faced tape and adhere the routing guides to the router table top with the edges against the masking tape strips on the insert plate edges **[Drawing H]**. Remove the plate. Chuck a $1\frac{1}{2}$ " Forstner bit into your drill press. With the edge of the bit just touching the inside faces of the routing guides, drill a hole all the way through the router-table top at each corner **[Drawing I]**.



3. Rough-cut the opening with a jigsaw, staying $\frac{1}{8}$ " inside the routing guides and cutting from corner hole to corner hole. For best results, support the inside edge of the jigsaw base with a $\frac{3}{4}$ "-thick scrapwood block.



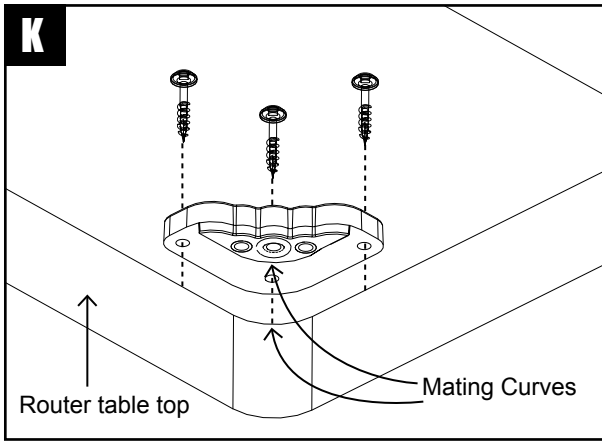
4. Chuck a top-bearing pattern bit into your router. With the guide bearing running against the routing guides, rout the edges of the opening **[Drawing J]**. Stop routing where the $\frac{3}{4}$ "-radius corners formed by the drilled holes meet the routing guides. If the thickness of your router-table top is greater than the reach of your pattern bit, switch to a bottom-bearing flush-trim bit, flip over the router-table top, and finish the cut with the flush-trim bit guide bearing running against the surface routed with the pattern bit. Remove the routing guides.

Install the Insert Plate

Rabbeted opening method

1. Attach the router base to the insert plate, using the screws that were used to attach the sub-base to the router base. Depending on the thickness of your router sub-base, it may be necessary to purchase longer screws. Make certain that the screws are long enough to fully thread into the router base. For fixed-base routers, install the motor unit in the router base and install the insert plate, with router attached, in the table.

2. Drop the four lock-down screws through the countersunk holes in the insert plate and thread them into the hex nut, wing nut or T-nut. Tighten the screws.



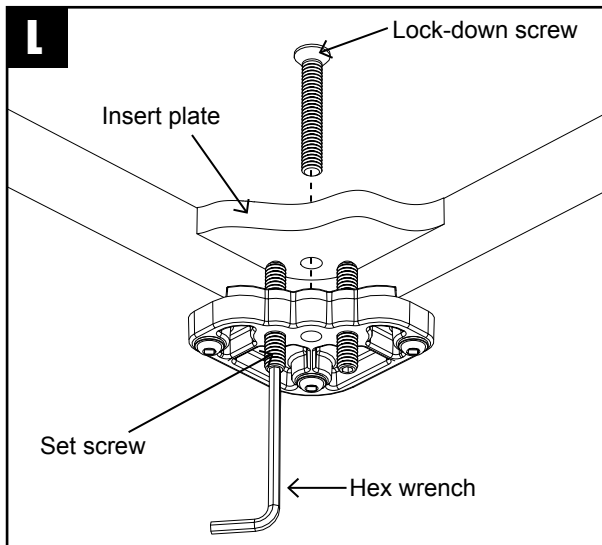
Kreg Precision Router Table Insert Plate Levelers method

1. With the table top upside down, position an insert-plate leveler in one corner of the table-top opening, mating the curve on the raised portion of the leveler with the radius corner of the opening. Firmly holding the leveler in place and using the three mounting holes in the leveler flange as guides, drill pilot holes into the table top. Fasten the leveler to the tabletop with three 1 1/4" coarse-thread screws provided [Drawing K]. Repeat with the remaining levelers.

! ATTENTION! The 1 1/4" coarse-thread screws provided with the levelers are for use on router table tops with a minimum thickness of 1". For thinner tops, use your own shorter screws.

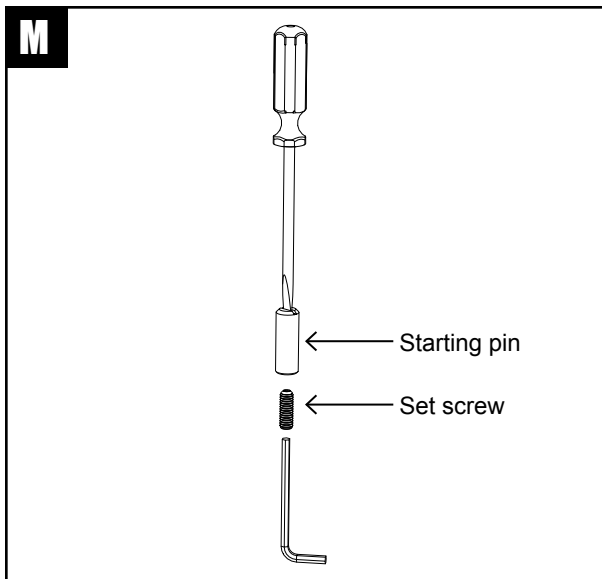
2. Using the 1/8" hex wrench, drive a 1/4-20 x 1 1/2" socket-head set screw into each outside hole in each leveler, threading them in from the bottom until the tips are 3/8" below the table surface.

3. For Kreg PRS4034 and PRS4036 Precision Insert Plates, fasten the router base to the insert plate using the screws supplied with the plate. For the Kreg PRS4038 Precision Insert Plate, use the screws that were used to attach the sub-base to the router base to attach the router base to the insert plate. Make certain that the screws are long enough to fully thread into the router base. It may be necessary to purchase longer screws. For fixed-base routers, install the motor unit in the router base.



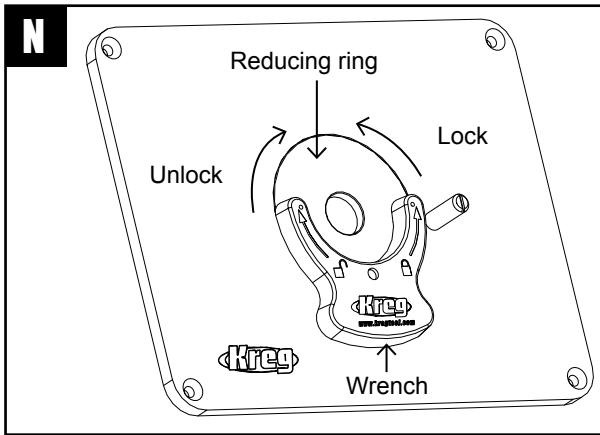
4. Place the insert plate with the router attached in the table-top opening, resting it on the eight set screws. Using the hex wrench, adjust the set screws from under the table to align the surfaces of the plate and the table. Check the alignment with a straight edge. Make sure all eight set screws are in equal contact with the insert plate

5. Thread the four 1/4-20 x 1 3/4" machine screws (lock-down screws) through the countersunk holes in the insert plate and into the center hole on each leveler and snug them down [Drawing L]. Some adjustment of the lock-down screws and set screws may be necessary to fine-tune the alignment.



Finishing Up

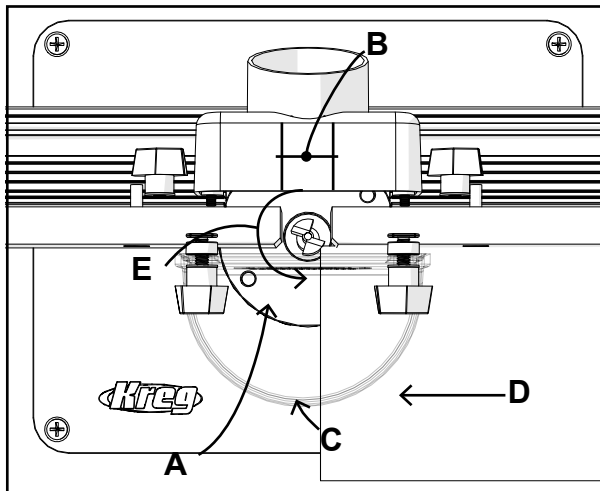
1. Thread the 1/4-20 x 3/4" set screw into the bottom of the brass starting pin using a flat-blade screw driver and 1/8" hex wrench, until the two are tightly secured together [Drawing M]. When ready for use, thread the starting pin assembly into the threaded hole in the insert-plate and tighten it.



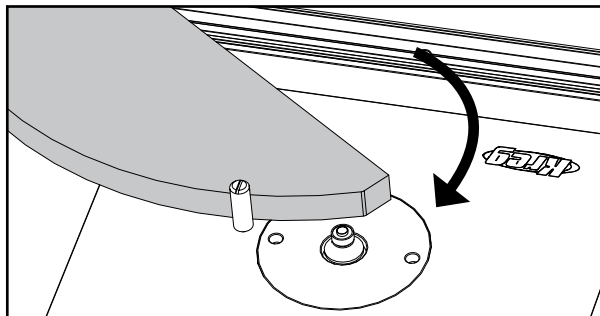
2. To install a reducing ring, simply drop it into the insert-plate opening and turn it by hand until it drops flush with the plate surface. Insert the pegs at the ends of the arms of the ring wrench into the mating holes in the reducing ring and rotate the ring counterclockwise **[Drawing N]**. Rotation of about $\frac{3}{8}$ " is sufficient to lock the ring in place. To remove the ring, turn the wrench clockwise and lift the ring out of the opening.

! ATTENTION! The Kreg Precision Insert Plate includes three Level-Lock reducing rings for flexibility in matching the size of the insert-plate opening to the diameter of the router bit in use. The ring with the rabbeted opening accepts standard universal-style guide bushings, allowing you to use your router table for pattern routing. A set of four additional reducing rings plus a blank disk for making a zero-clearance ring is available from your Kreg dealer.

General Routing

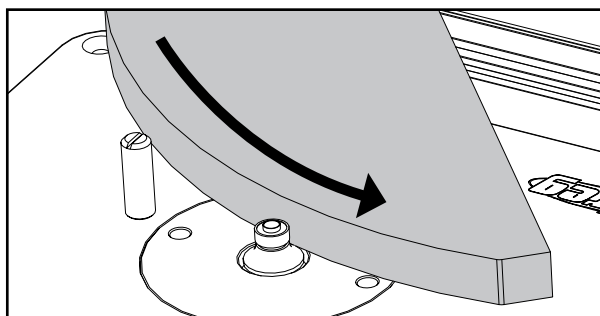


(A) Use the insert-plate reducing ring with the smallest opening that allows the bit to pass through it. **(B)** Position the fence faces as close as possible to the bit. Turn the bit by hand to check for interference. Firmly tighten the fence-face T-knobs before routing. **(C)** Position the bit guard over the router bit and as close to the workpiece surface as possible. **(D)** Feed the workpiece against (not with) the **(E)** bit rotation.



Starting Pin

To use the starting pin, begin with your workpiece touching the pin, but not in contact with the router bit. Slowly pivot the workpiece into the bit until the workpiece makes contact with the bit guide bearing. Always feed the workpiece so the router bit rotates against (not with) the feed direction. With the workpiece in solid contact with the guide bearing, ease the workpiece off of the starting pin and feed the workpiece along the guide bearing.



! WARNING! Use the starting pin when routing along curved edges and only with router bits that have a guide bearing. When routing against straight edges, always use the fence.

AVERTISSEMENT Veuillez lire, comprendre et suivre les instructions du fabricant de votre toupie en plus des consignes de sécurité ci-dessous afin de réduire le risque d'incendie, de choc électrique et de blessure. Assurez-vous de lire toutes les instructions avant de tenter d'utiliser cet appareil. **CONSERVEZ CES INSTRUCTIONS.**

1) Mesures de sécurité dans l'aire de travail

- a) **L'aire de travail doit être propre et bien éclairée.** Une aire de travail encombrée ou peu éclairée augmente le risque d'accident.
- b) **N'utilisez pas un outil électrique dans un environnement dangereux.** N'utilisez pas un outil électrique dans un endroit mouillé ou humide et ne l'exposez pas à la pluie.
- c) **N'utilisez pas d'outils électriques dans une atmosphère explosive, par exemple en présence de liquides, de vapeurs ou de poussières inflammables.** Les outils électriques produisent des étincelles pouvant enflammer les vapeurs ou les poussières.
- d) **Gardez les enfants et les autres personnes à l'écart lorsque vous utilisez un outil électrique.** Une distraction peut vous faire perdre la maîtrise de l'outil.
- e) **Empêchez les enfants d'accéder à votre atelier.** Utilisez des cadenas et un interrupteur général, ou retirez les clés du commutateur d'allumage.

2) Consignes de sécurité relatives à l'électricité

- a) **Branchez les outils électriques sur une prise mise à la terre. Un outil muni d'une fiche à trois broches ne doit être branché que sur une prise de courant à trois alvéoles mise à la terre.** Si vous ne disposez pas d'une telle prise, demandez à un électricien qualifié d'en installer une. Ne retirez jamais la troisième broche et ne modifiez jamais la fiche.
- b) **N'exposez pas les outils électriques à la pluie ou à tout autre environnement humide.** Les risques de choc électrique sont plus élevés si de l'eau s'est infiltrée dans un outil électrique.
- c) **N'utilisez pas le cordon d'alimentation de façon abusive. Ne transportez jamais un outil électrique en le tenant par son cordon ou ne tirez jamais sur le cordon pour le débrancher. Tenez le cordon d'alimentation éloigné des sources de chaleur, de l'huile, des objets coupants et des pièces mobiles.** Les risques de choc électrique sont plus élevés si le cordon d'alimentation est endommagé ou emmêlé.
- d) **Utilisez une rallonge appropriée et assurez-vous qu'elle est en bon état.** Utilisez une rallonge qui convient au courant consommé par l'outil. Une rallonge de calibre insuffisant entraînera une baisse de la tension secteur, une perte de puissance et une surchauffe. **Le tableau 1** montre le calibre de la rallonge approprié selon la longueur de la rallonge et l'intensité nominale inscrite sur la plaque signalétique de l'outil. En cas de doute, utilisez une rallonge de calibre supérieur. Plus le numéro du calibre est bas, plus la rallonge est résistante.
- e) **Lorsque vous utilisez des outils électriques, évitez de toucher à des surfaces mises à la terre, par exemple un tuyau, un radiateur, une cuisinière et un réfrigérateur.** Le contact de votre corps avec une surface mise à la terre augmente les risques de choc électrique.

3) Sécurité personnelle

- a) **Soyez vigilant, prêtez attention à ce que vous faites et usez de votre jugement lorsque vous utilisez un outil électrique. N'utilisez pas un outil électrique lorsque vous êtes fatigué ou sous l'effet de drogues, d'alcool ou de médicaments.** Un moment d'inattention pendant que vous utilisez des outils électriques peut occasionner des blessures graves.
- b) **Portez toujours des lunettes de sécurité.** Les lunettes ordinaires ne sont pas des lunettes de sécurité. En plus d'être pourvues d'écrans latéraux, les lunettes de sécurité sont munies d'une monture et de verres spéciaux.
- c) **Utilisez de l'équipement de sécurité.** Portez un masque facial ou un masque antipoussières quand la coupe produit beaucoup de poussière. Le port d'équipement de sécurité, comme un masque antipoussières, des chaussures de sécurité antidérapantes, un casque de protection et des protecteurs auditifs, lorsque les conditions l'exigent, réduit les risques de blessures.
- d) **Évitez les mises en marche accidentelles de l'outil. Assurez-vous que l'interrupteur de l'outil est à la position d'arrêt avant de le brancher.** Le fait de transporter un outil électrique en gardant le doigt sur l'interrupteur ou de le brancher, tandis que son interrupteur est en position de marche, augmente les risques d'accident.
- e) **Retirez toutes les clés de réglage de l'outil électrique avant de mettre celui-ci en marche.** Une clé de réglage oubliée sur une pièce rotative de l'outil électrique peut occasionner des blessures corporelles.
- f) **Ne vous étirez pas pour étendre votre portée. Gardez une posture sécuritaire et un bon équilibre en tout temps.** Cela vous permet de mieux maîtriser l'outil électrique lorsque des situations inattendues se présentent.

- g) **Assurez-vous que la pièce à travailler est bien fixée.** Utilisez des serre-joints ou un étau pour fixer la pièce sur laquelle vous travaillez, au besoin. Cette technique est plus sécuritaire que l'utilisation de vos mains et vous permet de garder les mains libres pour faire fonctionner l'outil.
- h) **Ne vous tenez jamais debout sur l'outil.** Des blessures graves peuvent survenir s'il se renverse ou si l'outil tranchant est accidentellement mis en marche.
- i) **Habillez-vous convenablement. Ne portez pas de vêtements amples ni de bijoux. Gardez vos cheveux, vos vêtements et vos gants loin des pièces mobiles.** Les vêtements amples, les bijoux et les cheveux longs risquent de se prendre dans les pièces en mouvement. Roulez vos manches jusqu'aux coudes. Couvrez vos cheveux s'ils sont longs.
- j) **Si un dispositif permet de raccorder un dépoussiéreur, assurez-vous que celui-ci est branché et utilisé correctement.** L'emploi d'un dépoussiéreur contribue à réduire les dangers liés à la poussière.

4) Utilisation et entretien d'un outil électrique

- a) **Gardez les protecteurs en place et en état de fonctionnement.**
- b) **Ne forcez pas l'outil électrique. Utilisez l'outil électrique approprié à l'utilisation que vous envisagez.** L'utilisation de l'outil électrique approprié permet d'obtenir de meilleurs résultats, de façon plus sécuritaire, selon le régime de fonctionnement prévu.
- c) **Utilisez le bon outil.** Ne tentez pas d'utiliser un outil ou l'un de ses accessoires pour effectuer un travail pour lequel il n'est pas conçu.
- d) **N'utilisez pas l'outil électrique si l'interrupteur ne fonctionne pas.** Tout outil qui ne peut pas être contrôlé par l'interrupteur est dangereux et doit être réparé.
- e) **Débranchez la fiche de la prise ou retirez le bloc-piles de l'outil électrique avant d'effectuer des réglages, de changer d'accessoire ou de le ranger.** Ces mesures de sécurité préventives réduisent les risques de mise en marche accidentelle de l'outil électrique.
- f) **Ne laissez jamais l'outil en marche sans surveillance. Coupez l'alimentation électrique.** Ne vous éloignez pas de l'outil tant qu'il ne s'est pas complètement arrêté.
- g) **Rangez les outils électriques inutilisés hors de la portée des enfants et ne laissez pas les personnes ne connaissant pas bien l'outil et ces instructions utiliser l'outil électrique.** Les outils électriques sont dangereux s'ils se retrouvent entre les mains d'utilisateurs qui ne savent pas s'en servir.
- h) **Entretenez les outils électriques. Vérifiez les pièces mobiles pour vous assurer qu'elles ne sont pas désalignées, enrayées, brisées ou dans un état qui pourrait nuire au fonctionnement de l'outil électrique. Si elles sont endommagées, faites-les réparer avant d'utiliser l'outil électrique.** De nombreux accidents sont provoqués par des outils électriques mal entretenus.
- i) **Gardez vos outils tranchants affûtés et propres.** Des outils tranchants bien entretenus dont les lames sont affûtées risquent moins de se bloquer et sont plus faciles à maîtriser.
- j) **Utilisez la vitesse recommandée pour l'outil de coupe, l'accessoire et la pièce à travailler.**
- k) **N'utilisez que des pièces et des accessoires recommandés par le fabricant.** Consultez la liste des accessoires recommandés dans le guide d'utilisation. L'utilisation d'accessoires inappropriés peut causer des blessures.
- l) **Utilisez l'outil électrique, les accessoires, et les embouts conformément aux instructions et aux fins pour lesquelles l'outil a été conçu, en tenant compte des conditions de travail et des tâches à effectuer.** L'utilisation de l'outil électrique à des fins autres que celles pour lesquelles il a été conçu risque d'entraîner une situation dangereuse.

5) Réparation

- a) **Demandez à un technicien qualifié qui utilise seulement des pièces de rechange identiques aux pièces d'origine d'effectuer l'entretien de votre outil électrique.** Vous vous assurez ainsi de respecter les consignes de sécurité de l'outil électrique.

6) CONSIGNES DE SÉCURITÉ PROPRES À L'UTILISATION DE LA TABLE À TOUPIE MUNIE D'UNE PLAQUE D'INSERTION POUR TABLE À TOUPIE DE PRÉCISION

- a) **Veuillez lire toutes les instructions et consignes de sécurité du fabricant de votre toupie. Assurez-vous également de les comprendre et de les suivre.**

- b) **Débranchez la toupie avant d'effectuer des réglages.** N'ajustez jamais le guide, le niveau de la plaque, les anneaux de réduction ou toute autre pièce de la toupie ou de la table à toupie pendant que la machine est en marche.
- c) **Placez la table à toupie sur une surface plane afin d'éviter qu'elle ne glisse ou ne bascule.** Ne vous tenez jamais debout sur la table à toupie.
- d) **Ne touillez pas des pièces tordues ou arquées.** Toutes les faces des pièces doivent être plates et tous leurs bords, droits.
- e) **Ne tenez pas de touiller des pièces de très grand format sur une table à toupie.** Celles-ci sont difficiles à maîtriser et peuvent faire basculer la table à toupie.
- f) **N'utilisez que des fraises de toupie avec votre toupie.** Ne l'utilisez jamais avec des outils comme des outils à ciseler, des outils abrasifs, des brosses métalliques circulaires ou des forets, même si le diamètre de leur tige correspond à celui du mandrin de la toupie.
- g) **Portez des gants lorsque vous manipulez des fraises de toupie.** Leurs tranchants sont coupants.
- h) **N'utilisez jamais des fraises de toupie sales, émoussées ou endommagées.** Retirez toute accumulation de résine avec un nettoyant spécialement formulé pour les outils tranchants. Faites aiguiser les fraises émoussées par une personne qualifiée. Jetez toute fraise endommagée.
- i) **Assurez-vous que la tige de la fraise de toupie est enfoncée d'au moins 75 % dans le mandrin de la toupie et qu'elle y est fixée solidement.** Pour une fixation solide, laissez de 1,58 mm à 3,17 mm (1/16 po à 1/8 po) entre l'extrémité de la tige des raises et le fond du mandrin.
- j) **Utilisez l'anneau de réduction de la plaque d'insertion qui possède la plus petite ouverture pouvant être traversée par la fraise utilisée.** En effet, une ouverture trop grande pourrait laisser la pièce travaillée basculer vers la fraise et provoquer un rebond.
- k) **Placez la surface du guide le plus près possible de la fraise.** Tournez manuellement la fraise afin de vérifier que rien n'entrave son fonctionnement. Serrez fermement les boutons en T de la surface du guide avant d'utiliser la toupie.
- l) **Ajustez la vitesse de la toupie de façon à ce qu'elle corresponde au diamètre de la fraise.** Diminuez la vitesse de la toupie lorsque vous utilisez des fraises au grand diamètre. Consultez le **tableau 2** pour connaître les vitesses recommandées.
- m) **Avant de démarrer la toupie, assurez-vous que le moteur est solidement fixé à la base.**
- n) **Tenez toujours la pièce travaillée en place à l'aide du guide ou de la cheville de départ.** N'utilisez la cheville de départ qu'avec les fraises de toupie à roulement-guide.
- o) **Quand vous utilisez le guide, placez toujours le protecteur de fraise sur la fraise de toupie et le plus près possible de la surface de la pièce travaillée.**
- p) **Ne coupez jamais une grande quantité de bois en une seule coupe.** Effectuez plutôt plusieurs coupes de plus en plus profondes. Ajustez la position du guide ou de la fraise de toupie entre les coupes.
- q) **Gardez vos mains éloignées de la fraise en rotation et votre corps hors de la trajectoire de coupe.** Utilisez toujours le protecteur de fraise. Utilisez des poussoirs, des blocs-poussoirs et des guides d'appui dans la mesure du possible, surtout pour touiller les pièces étroites. Éteignez la toupie avant d'enlever les retailles.
- r) **Évitez de placer les mains à un endroit où elles risqueraient d'entrer en contact avec la fraise advenant le cas où la pièce travaillée venait à glisser soudainement.** Ne vous étirez jamais pour étendre votre portée.
- s) **Évitez de touiller des pièces de taille réduite.** Touillez le profil sur une grande pièce, puis coupez la pièce aux dimensions voulues à partir de la grande pièce. Si vous devez absolument touiller une petite pièce, concevez un gabarit approprié à cette tâche ou fixez la pièce à l'aide d'un serre-joint à main pour projets de menuiserie.
- t) **Assurez-vous que la fraise est dégagée de la pièce à travailler et qu'elle est complètement arrêtée avant d'ajuster la position de la pièce.** Ne démarrez jamais la toupie si la pièce à travailler est en contact avec la fraise.
- u) **Évitez les rebonds. Ceux-ci se produisent lorsque la pièce travaillée se coince ou se soulève pendant qu'elle est engagée dans la toupie, ce qui risque de la projeter vers l'utilisateur.** Afin d'éviter les rebonds (et possiblement les blessures), utilisez toujours des fraises bien affûtées, maintenez la machine bien alignée et entretenue et placez la pièce à travailler de manière sécuritaire avec un bon support. Ne touillez pas des pièces tordues, arquées ou qui comportent des nœuds sautants.
- v) **Faites glisser la pièce travaillée de façon à ce que la fraise de toupie tourne dans le sens contraire de la rotation.** Pendant l'alimentation, une pièce travaillée pourrait s'agripper à la fraise alors que cette dernière est en rotation, être éjectée violemment de la table à toupie et entraîner un contact entre votre main et la fraise.
- w) **N'insérez jamais une pièce à travailler entre la fraise et le guide.** Pendant le profilage du bord droit d'une pièce à travailler, touillez toujours avec la fraise insérée dans le guide et le bord de la pièce appuyé contre le guide.
- x) **Si les matériaux ne sont pas retirés du dessous de la partie saillante de la fraise pendant le profilage, ou si une partie du profil est coincée entre les lames du dessus et du dessous, prenez des précautions particulières pour empêcher la pièce travaillée de se soulever de la table pendant le touillage.** Une pièce travaillée qui se soulève de la table peut causer un rebond et de graves blessures. Pendant le profilage, il est particulièrement important d'avoir recours à des pièces droites et plates, et d'éviter celles qui sont tordues ou arquées.
- y) **Vérifiez périodiquement que les fixations sont bien serrées, que les boutons de blocage sont bien ajustés et que le guide est bien aligné.** Des fixations et des boutons desserrés et un guide mal aligné peuvent causer des blessures.

z) **Cette plaque d'insertion pour table à toupie est conçue pour une utilisation précise. Ne la modifiez pas et ne l'utilisez pas à d'autres fins.** Si vous avez des questions ayant trait à l'utilisation de la plaque d'insertion, NE l'utilisez PAS avant d'avoir communiqué avec Kreg Tool Company et d'avoir reçu tous les renseignements requis.

Instructions pour l'utilisation des rallonges

Les rallonges ne servent qu'à un usage temporaire. Elles ne remplacent pas la nécessité d'installer des prises ni d'effectuer le câblage, au besoin.

Dans l'atelier ou sur les chantiers de construction :

1. Utilisez des rallonges munies d'un conducteur de mise à la terre en tout temps.
2. Protégez les rallonges contre les dommages. Ne les faites pas passer par les portes ou les fenêtres, car celles-ci pourraient se refermer et endommager les rallonges.
3. Choisissez des rallonges d'un calibre minimal de 16 AWG qui conviennent aux outils que vous utilisez.
4. Inspectez périodiquement les rallonges afin de vous assurer que les fils sont bien isolés et que leur conductivité n'est pas compromise.
5. Ne faites pas passer de rallonges dans l'eau et ne les raccordez pas dans des endroits où de l'eau pourrait s'accumuler.

TABLEAU 1

Plaque signalétique Ampères à 120 V	Longueur de la rallonge					
	25'	50'	75'	100'	150'	200'
	Calibre de câble recommandé					
0 - 5	16	16	16	14	12	12
5.1 - 8	16	16	14	12	10	NR
8.1 - 12	14	14	12	10	NR	NR
12.1 - 16	12	12	NR	NR	NR	NR

NR : non recommandé

TABLEAU 2

Vitesses recommandées de la fraise de toupie	
Diamètre de la fraise	Vitesse maximale (tr/min)
Jusqu'à 25,4 mm (1 po)	24 000
31,75 mm à 50,8 mm (1 1/4 po à 2 po)	18 000
57,15 mm à 63,5 mm (2 1/4 po à 2 1/2 po)	16 000
76,2 mm à 88,9 mm (3 po à 3 1/2 po)	12 000

Suivez toujours les recommandations en matière de vitesse du fabricant du foret. Certaines fraises nécessitent une vitesse précise pour des raisons de sécurité et de performance.

⚠ Avertissement : Cet article peut vous exposer à des produits chimiques, notamment à l'acrylonitrile et à d'autres produits chimiques reconnus par l'État de la Californie comme étant la cause de cancers et de problèmes liés aux fonctions reproductrices. Pour plus de renseignements, rendez-vous au www.P65Warnings.ca.gov.

⚠ Avertissement : Le perçage, le sciage, le ponçage et l'usinage des produits en bois peuvent vous exposer à de la poussière de bois, une substance reconnue par l'État de la Californie comme étant la cause de cancers. Évitez d'inhaler la poussière de bois ou utilisez un masque antipoussières ou d'autres mesures de sécurité pour vous protéger. Pour plus de renseignements, rendez-vous au www.P65Warnings.ca.gov/wood.

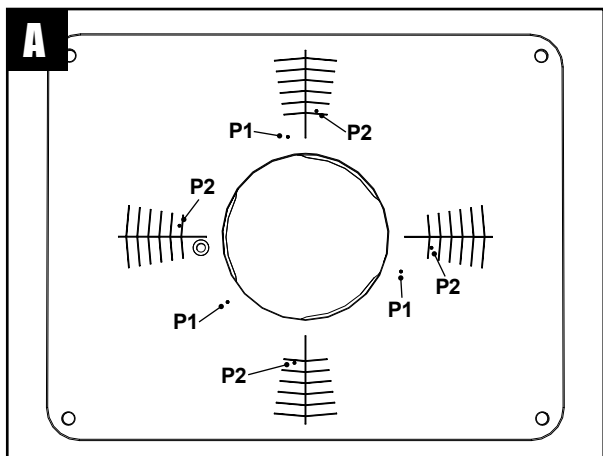
Avant de commencer...

Ces instructions vous expliquent comment installer votre toupie sur la plaque d'insertion pour table à toupie de précision Kreg et comment fixer la plaque d'insertion à la table à toupie montée en atelier. Il existe deux méthodes d'installation :

- Vous pouvez faire une ouverture avec un rebord à feuillure convenant à la plaque d'insertion.
- Vous pouvez faire une ouverture à côté droit et installer les patins réglables de la plaque d'insertion pour table à toupie Kreg (vendue séparément).

Les plaques d'insertion PRS4034 et PRS4036 sont préperçées pour convenir à la plupart des toupies Triton, Bosch et Porter-Cable. Pour ces plaques, il suffit de fixer la base de votre toupie à la plaque d'insertion à l'aide des vis fournies avec la plaque.

Percer la plaque d'insertion



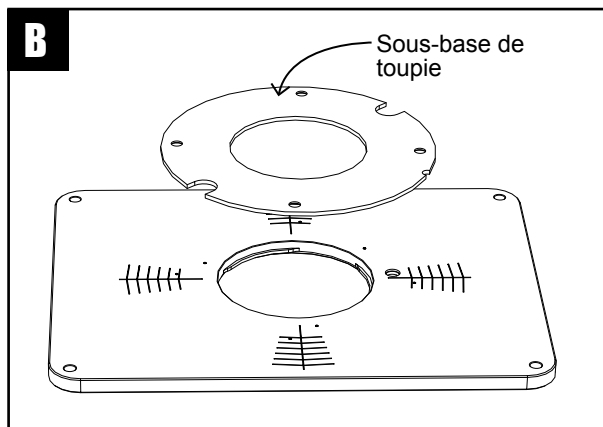
1. Le dessous de la plaque d'insertion PRS4038 est muni de points centraux moulés permettant le perçage de trous de montage à l'aide des toupies suivantes (**illustration A**) :

Motif 1 (trois trous) : Bosch 1617 et 1618; DeWalt 616 et 618; Hitachi M12VC; Makita 1100; Milwaukee 5616 et 5624; Porter-Cable 690, 890, 7529, 97529 et 8529; ensemble Ridgid 2930.

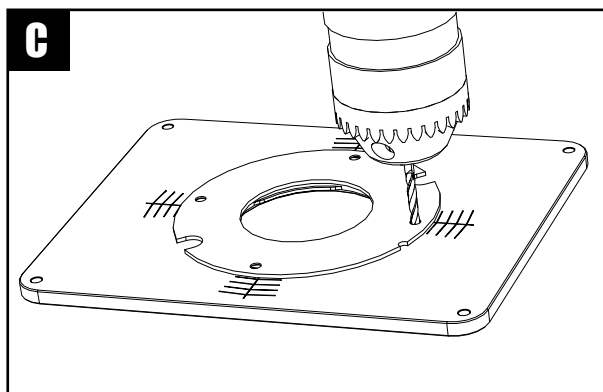
Motif 2 (quatre trous) : Milwaukee 5625-20; Porter-Cable 7518, 7519, 7538 et 7539; Triton TRA001 et MOF001.

Percez des trous, fraisez ou faites des trous chambrés correspondants aux vis de montage fournies avec la toupie. Si votre toupie est munie d'un dispositif de levage intégré, utilisez la sous-base de cette dernière comme guide de perçage et pour déterminer l'emplacement et la taille du trou d'accès.

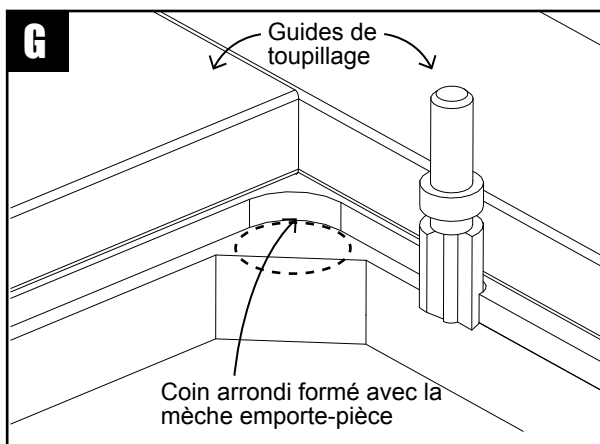
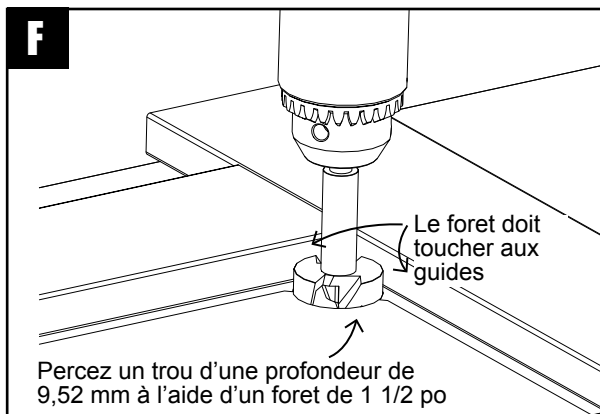
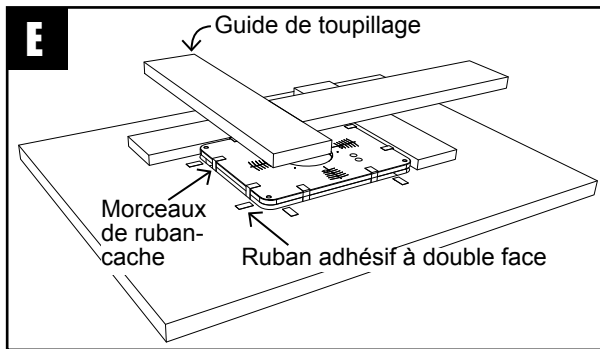
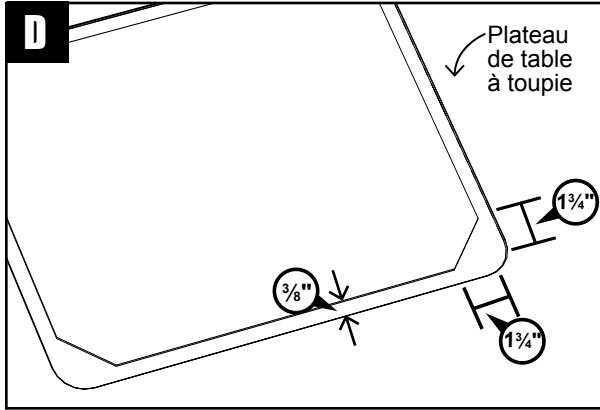
Si votre toupie n'est pas en mesure d'effectuer les **motifs 1 et 2**, suivez les **étapes 2 et 3** ci-dessous.



2. Placez la plaque d'insertion sur votre établi, en orientant le motif de cible vers le haut. Retirez la sous-base de votre toupie et sélectionnez un foret qui convient aux trous de montage. Si votre toupie est munie d'un dispositif de levage intégré, sélectionnez une fraise qui convient aussi au trou d'accès du dispositif de levage. Appliquez plusieurs petits morceaux de ruban adhésif à double face sur la sous-base. Centrez la sous-base sur la plaque d'insertion en utilisant le motif de cible comme guide (**illustration B**). Songez à l'endroit où vous souhaitez que les commandes de la toupie soient situées. Assurez-vous qu'aucun des trous que vous vous apprêtez à percer n'est aligné sur le trou fileté de la cheville de départ. Pressez fermement la sous-base contre la plaque d'insertion.



3. Placez une planche d'appui faite de retailles de bois sous la plaque d'insertion et fixez fermement la plaque d'insertion et la planche au plateau de votre perceuse à colonne. En utilisant les trous de la sous-base comme guides, percez des trous dans la plaque d'insertion (**illustration C**). Une fois les trous percés, retirez la sous-base de la plaque d'insertion. Retournez la plaque d'insertion et fraisez les trous de montage de façon à ce que la tête des vis de montage repose légèrement en dessous de la surface de la plaque après le serrage. Rangez la sous-base de toupie dans un endroit commode. Vous en aurez besoin lorsque vous retirerez votre toupie de la table pour effectuer un touillage à la main.



Tailler l'ouverture de la plaque d'insertion sur le plateau de votre table à toupie

Méthode avec ouverture à feuillure

1. Placez la plaque d'insertion sur le plateau de votre table à toupie en vous assurant d'aligner la plaque à la table. Tracez le contour de la plaque au crayon. Retirez la plaque. Afin de créer des zones pour fixer les quatre vis à métaux à tête plate de 1/4-20 x 1 3/4 po (vis de verrouillage) qui vont servir à fixer la plaque d'insertion au plateau de la table à toupie, tracez des lignes à un angle de 45° de part et d'autre de chaque coin du contour, et ce, de façon à former des triangles dont les côtés mesurent 4,44 cm (**illustration D**). Tracez des lignes à une distance de 9,52 mm à l'intérieur du contour tracé pour la plaque d'insertion et parallèles à celui-ci.

2. Afin de vous assurer qu'il y a suffisamment d'espace pour installer et retirer la plaque d'insertion, collez des bandes de ruban-cache sur tous les côtés de la plaque. Appliquez ensuite de petits morceaux de ruban adhésif à double face sur un côté. (Utilisez juste assez de ruban adhésif pour maintenir la plaque en place. Si vous mettez trop de ruban, il vous sera difficile de retirer la plaque plus tard.) Replacez la plaque d'insertion sur le plateau de table de votre toupie et appuyez fermement pour la fixer en place.

3. Coupez quatre guides de toupillage de 1,9 cm x 8,89 cm x 39,37 cm faits de retailles de bois. Appliquez du ruban adhésif à double face pour coller les guides de toupillage au plateau de la table à toupie en vous assurant que les bords se trouvent contre les bandes de ruban-cache sur les côtés de la plaque d'insertion (**illustration E**). Retirez la plaque. Insérez une mèche emporte-pièce de 1 1/2 po dans votre perceuse à colonne. Percez des trous d'essai sur la zone du plateau de la table à toupie que vous allez retirer pour y fixer la plaque d'insertion, puis réglez la profondeur de perçage à 9,52 mm. Assurez-vous que le bord de la mèche effleure les côtés intérieurs des guides de toupillage et percez un trou de 9,52 mm de profondeur à chaque coin du plateau de la table à toupie (**illustration F**).

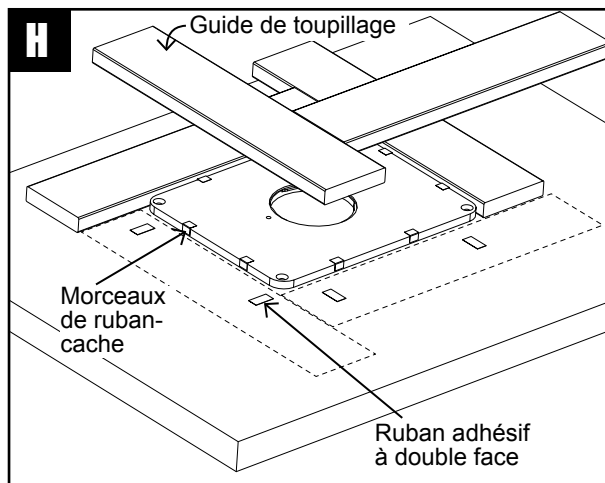
4. Percez un trou de départ à l'intérieur des marques de crayon. Assurez-vous que le rebord extérieur de la base de votre scie sauteuse se trouve sur les guides de toupillage et que le rebord intérieur est supporté par un bloc fait de retailles de bois d'une épaisseur de 19,05 mm, coupez à l'intérieur des lignes en laissant un espace de 9,52 mm à partir de l'intérieur du contour de la plaque d'insertion et des triangles à chaque coin.

5. Insérez une fraise à roulement à billes supérieur dans votre toupie pour une coupe d'une longueur de 19,05 mm. Réglez la profondeur de coupe en fonction de l'épaisseur de la plaque d'insertion et du guide de toupillage. Effectuez des tests de coupe dans des retailles afin de vous assurer que la profondeur de coupe correspond exactement à l'épaisseur de la plaque d'insertion. Passez le long des feuillures et des coins en triangle jusqu'à ce que le roulement-guide de la fraise glisse en douceur sur les rebords des guides de toupillage (**illustration G**). Assurez-vous de cesser le toupillage de chaque côté où les coins arrondis de 19,05 mm formés par les trous percés et les guides de toupillage se rejoignent. Retirez soigneusement un guide de toupillage et effectuez un test d'insertion de la plaque dans l'ouverture. Si la feuillure n'est pas assez profonde, remettez le guide, réglez la profondeur de toupillage et toupillez la feuillure de nouveau. Il est possible de remédier à une feuillure trop profonde à l'aide de ruban. Lorsque vous êtes satisfait du réglage, retirez les guides de toupillage.

6. Une fois la plaque d'insertion en place, utilisez les trous chambrés des coins comme guides pour percer des trous de 6,35 mm de profondeur dans les coins en triangle du plateau. Fixez la plaque à l'aide de vis de verrouillage et de vos propres rondelles et écrous hexagonaux ou écrous à oreilles. Pour plus de commodité, retirez la plaque d'insertion, élargissez les trous du plateau de table et installez les écrous en T.

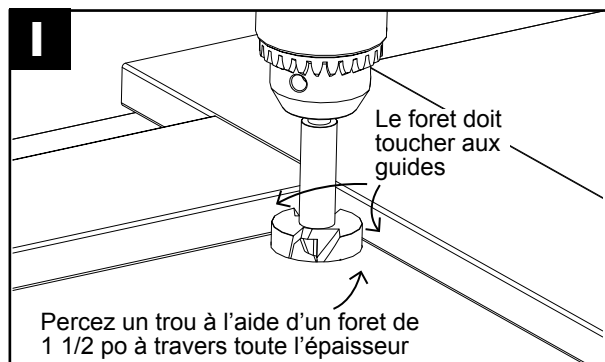
Méthode avec patins réglables de la plaque d'insertion pour table à toupie Kreg

ATTENTION! Cette méthode nécessite l'achat de patins réglables pour plaque de table à toupie Kreg, offerts chez votre détaillant Kreg. Ces patins réglables sont munis de huit vis de réglage qui fonctionnent avec quatre vis de verrouillage afin que la plaque d'insertion reste au même niveau que la surface de la table à toupie.

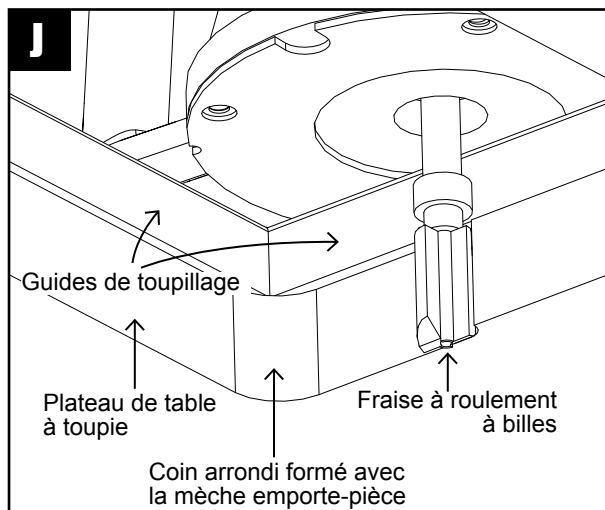


1. Afin de vous assurer qu'il y a suffisamment d'espace pour installer et retirer la plaque d'insertion, collez des bandes de ruban-cache sur tous les côtés de la plaque. Appliquez ensuite de petits morceaux de ruban adhésif à double face sur un côté. (Utilisez juste assez de ruban adhésif pour maintenir la plaque en place. Si vous mettez trop de ruban, il vous sera difficile de retirer la plaque plus tard.) Placez la plaque d'insertion sur le plateau de votre table à toupie en vous assurant d'aligner la plaque à la table et appuyez fermement pour la fixer en place.

2. Coupez quatre guides de toupillage de 1,9 cm x 8,89 cm x 39,37 cm faits de retailles de bois. Appliquez du ruban adhésif à double face pour coller les guides de toupillage au plateau de la table à toupie en vous assurant que les bords se trouvent contre les bandes de ruban-cache sur les côtés de la plaque d'insertion (**illustration H**). Retirez la plaque. Insérez une mèche emporte-pièce de 1 1/2 po dans votre perceuse à colonne. Assurez-vous que le bord de la fraise effleure les côtés intérieurs des guides de toupillage et percez un trou, à travers toute l'épaisseur, à chaque coin du plateau de la table à toupie (**illustration I**).



3. Coupez l'ouverture de façon grossière à l'aide d'une scie sauteuse en vous assurant de rester à une distance de 3,17 mm de l'intérieur des guides de toupillage et de couper d'un trou de coin à l'autre. Pour de meilleurs résultats, utilisez un bloc de retailles de bois d'une épaisseur de 19,05 mm afin de maintenir le rebord intérieur de la base de la scie sauteuse en place.



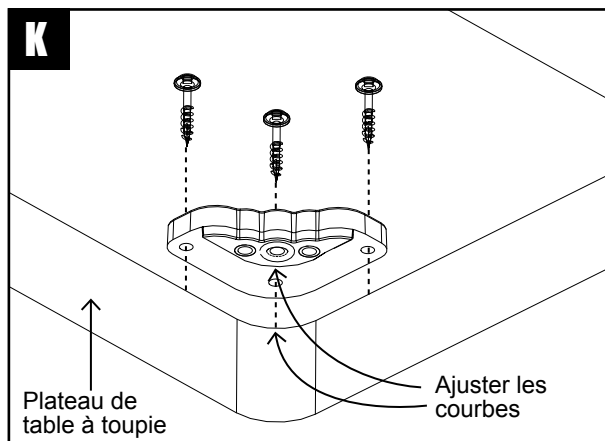
4. Insérez une fraise à roulement à billes supérieur dans votre toupie. Assurez-vous que le roulement-guide roule sur les guides de toupillage et toupillez les rebords de l'ouverture (**illustration J**). Cessez le toupillage où les coins arrondis de 19,05 mm formés par les trous percés et les guides de toupillage se rejoignent. Si l'épaisseur du plateau de votre table à toupie est supérieure à la portée de votre fraise à roulement à billes, utilisez une fraise à roulement inférieur, retournez le plateau de la table à toupie et terminez la coupe avec le guide de fraise à roulement tournant contre la surface toupillée à l'aide de la fraise à roulement à billes. Retirez les guides de toupillage.

Installer la plaque d'insertion

Méthode avec ouverture à feuillure

1. Fixez la base de toupie à la plaque d'insertion à l'aide des vis ayant servi à fixer la sous-base à la base de toupie. Selon l'épaisseur de la sous-base de toupie, il pourrait être nécessaire de vous procurer des vis plus longues. Assurez-vous que les vis sont assez longues pour s'enfoncer complètement dans la base de toupie. Pour les toupies à base fixe, posez le moteur dans la base de toupie et installez la plaque d'insertion munie de la toupie dans la table.

2. Insérez les quatre vis à métaux à travers les trous chambrés de la plaque d'insertion et vissez-les dans les écrous hexagonaux, les écrous à oreilles ou les écrous en T. Serrez les vis.



Méthode avec patins réglables de la plaque d'insertion pour table à toupie Kreg

1. Placez le plateau à l'envers et posez un patin réglable pour plaque d'insertion dans un coin de l'ouverture du plateau, en ajustant la courbe de la partie surélevée du patin au coin arrondi de l'ouverture. Maintenez fermement le patin réglable en place et utilisez les trois trous de montage situés sur le rebord du patin comme guides pour percer des avant-trous dans le plateau de table. Fixez le patin au plateau à l'aide de trois vis à filetage normal de 1 1/4 po fournies (**illustration K**). Répétez ces étapes afin de fixer les patins restants.

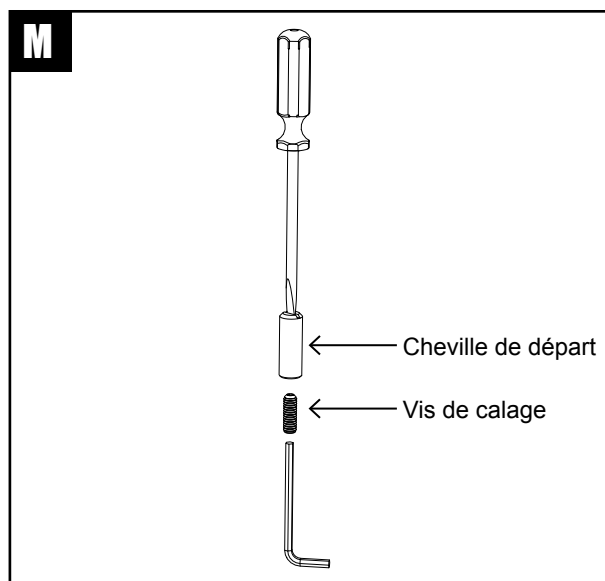
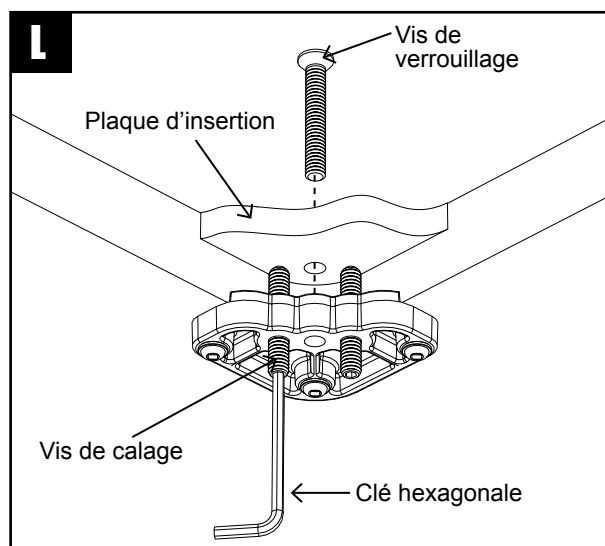
⚠ ATTENTION! Les vis à filet normal de 1 1/4 po fournies avec les patins doivent être utilisées sur les plateaux de tables à toupie d'une épaisseur minimale de 2,54 cm. Pour les plateaux plus minces, utilisez vos propres vis plus courtes.

2. À l'aide de la clé hexagonale de 1/8 po, enfoncez une vis de calage à tête creuse de 1/4-20 x 1 1/2 po dans le trou extérieur de chacun des patins, en la vissant à partir du bas jusqu'à ce que son extrémité soit située à 9,52 mm en dessous de la surface de la table.

3. Pour les plaques d'insertion de précision PRS4034 et PRS4036 de Kreg, fixez la base de la toupie à la plaque d'insertion à l'aide des vis fournies avec la plaque. Pour la plaque d'insertion de précision PRS4038 de Kreg, utilisez les vis ayant servi à fixer la sous-base à la base de toupie pour fixer la base de toupie à la plaque d'insertion. Assurez-vous que les vis sont assez longues pour s'enfoncer complètement dans la base de toupie. Il peut s'avérer nécessaire de vous procurer des vis plus longues. Pour les toupies à base fixe, posez le moteur dans la base de toupie.

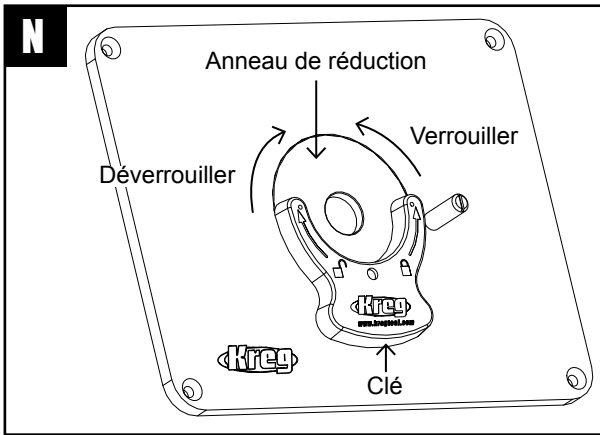
4. Placez la plaque d'insertion munie de la toupie dans l'ouverture du plateau, sur les huit vis de calage. À l'aide de la clé hexagonale, ajustez les vis de calage sous la table de façon à aligner les surfaces de la plaque et de la table. Vérifiez l'alignement à l'aide d'une règle droite. Assurez-vous que les huit vis de calage sont en contact avec la plaque d'insertion de façon uniforme.

5. Vissez les quatre vis à métaux de 1/4-20 x 1 3/4 po (vis de verrouillage) à travers les trous chambrés de la plaque d'insertion et dans le trou central de chaque patin réglable, puis serrez-les bien (**illustration L**). Vous devrez peut-être apporter quelques ajustements aux vis de verrouillage et aux vis de calage pour ajuster l'alignement.



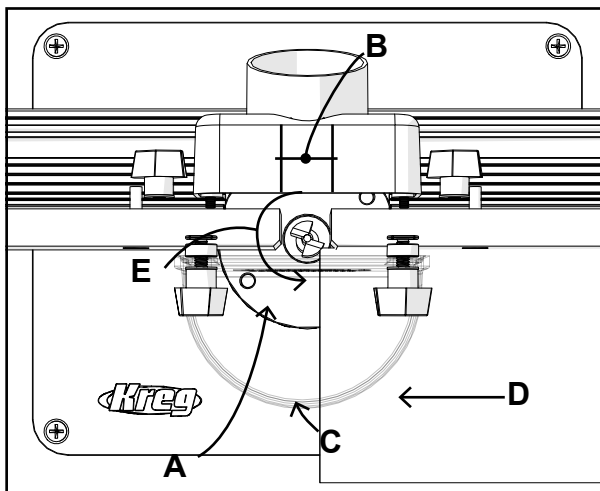
Finition

1. Insérez la vis de calage de 1/4-20 x 3/4 po dans le bas de la cheville de départ en laiton à l'aide d'un tournevis à tête plate et d'une clé hexagonale de 1/8 po. Serrez-le tout fermement (**illustration M**). Vissez l'ensemble de cheville de départ dans le trou fileté de la plaque d'insertion et serrez-le.



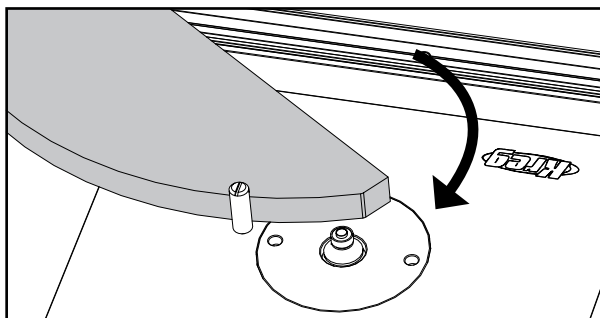
2. Pour installer un anneau de réduction, faites-le simplement glisser dans l'ouverture de la plaque d'insertion et tournez-le à la main jusqu'à ce qu'il soit de niveau par rapport à la surface de la plaque. Insérez les taquets situés aux extrémités des bras de la clé pour anneau dans les trous d'accouplement de l'anneau de réduction et tournez l'anneau dans le sens contraire des aiguilles d'une montre (**illustration N**). Une rotation d'environ 9,52 mm suffit à verrouiller l'anneau en place. Pour retirer l'anneau, tournez la clé dans le sens des aiguilles d'une montre et soulevez l'anneau en dehors de l'ouverture.

ATTENTION! La plaque d'insertion de précision Kreg inclut trois anneaux de réduction Level-Loc pour plus de souplesse quant à l'agencement de la taille de l'ouverture de la plaque d'insertion au diamètre de la fraise de toupie utilisée. L'anneau muni d'une ouverture à feuillure convient aux douilles de guidage standard de style universel; vous pouvez donc utiliser votre table à toupie pour le toupillage de motifs. Votre détaillant Kreg offre un ensemble de quatre anneaux de réduction supplémentaires ainsi qu'un disque vierge pour un anneau sans dégagement.



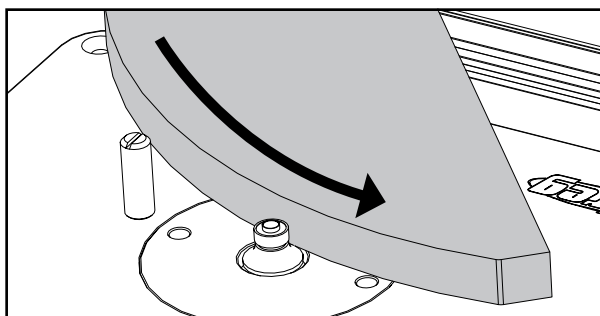
Fonctionnement normal de la toupie

(A) Utilisez l'anneau de réduction de la plaque d'insertion dont l'ouverture est la plus petite possible tout en restant supérieure au diamètre de la fraise. (B) Placez la surface du guide le plus près possible de la fraise. Tournez manuellement la fraise afin de vérifier que rien n'entrave son fonctionnement. Serrez fermement les boutons en T de la surface du guide avant d'utiliser la toupie. (C) Placez toujours le protecteur de fraise sur la fraise de toupie et le plus près possible de la surface de la pièce travaillée. (D) Faites glisser la pièce à travailler de façon à ce que la fraise (E) tourne dans le sens contraire de la rotation.



Cheville de départ

Pour utiliser la cheville de départ, appuyez d'abord la pièce travaillée sur la cheville de départ, tout en évitant le contact avec la fraise de toupie. Faites pivoter lentement la pièce travaillée vers la fraise jusqu'à ce qu'elle entre en contact avec le roulement-guide. Faites toujours glisser la pièce travaillée de façon à ce que la fraise de toupie tourne dans le sens contraire de l'alimentation. Une fois que la pièce à travailler est solidement en contact avec le roulement-guide, vous pouvez décoller la pièce à travailler de la cheville de départ et la laisser glisser le long du roulement-guide.



AVERTISSEMENT Pour découper des bords courbés, utilisez la cheville de départ avec des fraises de toupie à roulement-guide seulement. Pour découper des bords droits, utilisez toujours le guide.

⚠ ADVERTENCIA Lea, comprenda y siga las instrucciones del fabricante de la rebajadora junto con las siguientes precauciones de seguridad para reducir el riesgo de incendios, descargas eléctricas y lesiones personales. Lea todas estas instrucciones antes de hacer funcionar este producto. **GUARDE ESTAS INSTRUCCIONES.**

1) Seguridad en el área de trabajo

- Mantenga el área de trabajo limpia y bien iluminada. Las áreas desordenadas u oscuras aumentan las posibilidades de accidentes.
- No use herramientas eléctricas en áreas húmedas o mojadas ni las exponga a la lluvia.
- No utilice herramientas eléctricas en atmósferas en las que exista riesgo de explosión, como por ejemplo, en presencia de líquidos inflamables, gases o polvo. Las herramientas eléctricas producen chispas que pueden encender los vapores o el polvo.
- Mantenga a los niños y transeúntes alejados durante la operación de una herramienta eléctrica. Las distracciones pueden hacerle perder el control.
- Convierta su taller en un lugar a prueba de niños. Utilice candados o interruptores maestros, o retire las llaves de arranque.

2) Seguridad eléctrica

- Herramientas eléctricas con puesta a tierra. Si la herramienta está equipada con un enchufe de tres clavijas, debe enchufarse solo en un tomacorriente de tres orificios con puesta a tierra. Si no se cuenta con un tomacorriente adecuado, pídale a un electricista calificado que instale uno. Nunca retire la tercera clavija ni modifique el enchufe incluido de ninguna manera.
- No exponga las herramientas eléctricas a la lluvia o a condiciones de humedad. Si ingresa agua en una herramienta eléctrica, aumentará el riesgo de descarga eléctrica.
- No maltrate el cable. Nunca use el cable para transportar, jalar o desenchufar la herramienta eléctrica. Mantenga el cable alejado del calor, el aceite, los bordes filosos o las piezas en movimiento. Los cables dañados o enredados aumentan el riesgo de descarga eléctrica.
- Use una extensión eléctrica adecuada y asegúrese de que esté en buen estado. Cuando utilice una extensión eléctrica, asegúrese de utilizar una que sea lo suficientemente resistente como para conducir la corriente que la herramienta eléctrica necesita. Un cable de tamaño menor que el requerido causará una baja en el voltaje de la línea. Esto podría provocar un corte de energía y sobrecalentamiento. En la tabla 1, se muestra el calibre correcto de la extensión eléctrica adecuada que debe utilizar según el largo del cable y el amperaje de la herramienta que figura en la placa de datos. Si tiene dudas, utilice el siguiente calibre más resistente. Cuanto más bajo es el número del calibre, más pesada es la extensión.
- Cuando utilice las herramientas eléctricas, evite el contacto del cuerpo con superficies conectadas a tierra, como tuberías, radiadores, estufas de cocina o refrigeradores. El contacto con una superficie conectada a tierra aumenta el riesgo de una descarga eléctrica.

3) Seguridad personal

- Manténgase alerta, observe lo que hace y actúe con sentido común mientras utiliza una herramienta eléctrica. No utilice una herramienta eléctrica si está cansado o bajo los efectos de drogas, alcohol o medicamentos. Un momento de desatención mientras opera herramientas eléctricas puede provocar lesiones personales graves.
- Use gafas de seguridad en todo momento. Los lentes de uso diario no son gafas de seguridad. Las gafas de seguridad tienen lentes, marcos y protectores laterales especiales.
- Utilice un equipo de seguridad. Use una protección o mascarilla antipolvo si se desprende demasiado polvo en la operación de corte. El equipo de seguridad, como mascarillas antipolvo, zapatos de seguridad antideslizantes, casco o protección auditiva, que se usa para crear condiciones apropiada reduce las lesiones personales.
- Evite los arranques accidentales. Asegúrese de que el interruptor esté en la posición de apagado antes de enchufar la herramienta. Si se transportan herramientas eléctricas con el dedo en el interruptor o se enchufan herramientas eléctricas que tienen el interruptor encendido, aumentan las posibilidades de accidentes.
- Retire todas las llaves de ajuste o llaves inglesas antes de encender la herramienta eléctrica. Si se deja una llave inglesa o una llave conectada a una pieza giratoria de la herramienta eléctrica, se pueden producir lesiones personales.
- No se extienda demasiado. Mantenga una postura y un equilibrio adecuados en todo momento. Esto permite un mejor control de la herramienta eléctrica en situaciones inesperadas.
- Asegure las piezas de trabajo. Use abrazaderas o una prensa para sostener la pieza de trabajo cuando sea práctico. Es más seguro que usar las manos y, de este modo, ambas manos quedan libres para operar la herramienta.
- Nunca se pare sobre la máquina. Si la herramienta se voltea o si toca accidentalmente la herramienta de corte, se pueden producir lesiones graves.
- Use ropa adecuada. No use ropa holgada ni joyas. Mantenga el cabello, la ropa y los guantes lejos de las piezas en movimiento. La ropa holgada, las joyas o el cabello largo pueden quedar atrapados en las piezas en movimiento. Arremánguese hasta el codo. Use una malla protectora para contener el cabello largo.
- Si se proporcionan dispositivos para la conexión de equipos de extracción y recolección de polvo, asegúrese de que se conecten y se usen adecuadamente. El uso de estos dispositivos disminuye los peligros relacionados con el polvo.

4) Uso y cuidado de herramientas eléctricas

- Mantenga las protecciones en su lugar y en buenas condiciones de funcionamiento.
- No fuerce la herramienta eléctrica. Utilice la herramienta eléctrica adecuada para su aplicación. La herramienta eléctrica adecuada realizará un trabajo más seguro y de mejor calidad al ritmo para el que se la diseñó.
- Use la herramienta correcta. No fuerce una herramienta o un accesorio para hacer un trabajo para el que no se lo diseñó.
- No utilice la herramienta eléctrica si el interruptor no enciende o apaga. Cualquier herramienta eléctrica que no pueda controlarse con el interruptor es peligrosa y debe repararse.
- Desconecte el enchufe de la fuente de alimentación o la batería de la herramienta eléctrica antes de realizar cualquier ajuste, cambiar accesorios o almacenar herramientas eléctricas. Este tipo de medidas de seguridad preventivas reduce el riesgo de arranques accidentales de la herramienta eléctrica.
- Nunca deje una herramienta en funcionamiento sin supervisión. Apague la herramienta eléctrica. No suelte la herramienta hasta que no se detenga completamente.
- Almacene las herramientas eléctricas que no estén en uso fuera del alcance de los niños y no permita que personas que no estén familiarizadas con la herramienta ni con estas instrucciones la utilicen. Las herramientas eléctricas son peligrosas en manos de usuarios sin capacitación.
- Realice mantenimiento a las herramientas eléctricas. Revise si hay desalineación o agarrotamiento de piezas móviles o piezas rotas, así como cualquier otra condición que pueda afectar el funcionamiento de la herramienta eléctrica. Si se daña la herramienta eléctrica, hágala reparar antes de usarla. Muchos accidentes son producto del mantenimiento incorrecto de las herramientas eléctricas.
- Mantenga las herramientas de corte afiladas y limpias. Las herramientas de corte que se mantienen adecuadamente, con sus bordes de corte afilados, son menos propensas a trabarse y son más fáciles de controlar.
- Utilice la velocidad recomendada para la herramienta de corte o el accesorio y el material de la pieza de trabajo.
- Solo use piezas y accesorios recomendados por el fabricante. Consulte el manual del propietario para conocer los accesorios recomendados. Usar accesorios incorrectos puede causar lesiones personales.
- Use la herramienta eléctrica, los accesorios y las brocas para herramienta según estas instrucciones y de la manera adecuada para el tipo de herramienta eléctrica en particular, teniendo en cuenta las condiciones de trabajo y el trabajo que se va a realizar. El uso de la herramienta eléctrica en operaciones diferentes de aquellas para las que se la diseñó puede crear una situación de peligro.

5) Reparación

- Permita que solo una persona capacitada repare la herramienta eléctrica, utilizando solo piezas de repuesto idénticas. De esta manera, mantendrá la seguridad de la herramienta eléctrica.

6) INSTRUCCIONES DE SEGURIDAD ESPECÍFICAS PARA EL USO DE UNA MESA PARA REBAJADORA INSTALADA CON UNA PLACA DE ACCESORIO DE MESA PARA REBAJADORA DE PRECISIÓN

- Lea, comprenda y siga las instrucciones y las advertencias de seguridad del fabricante de la rebajadora.
- Desconecte la rebajadora de la fuente de alimentación antes de realizar ajustes. Nunca ajuste la guía, la placa, los anillos reductores ni cualquier otra pieza de la rebajadora o de la mesa para rebajadora mientras la rebajadora está funcionando.
- Coloque la mesa para rebajadora sobre una superficie plana para evitar que se incline o resbale. Nunca se pare sobre la mesa para rebajadora.
- No intente rebajar piezas de trabajo deformes, torcidas o curvadas. Todas las piezas de trabajo deben tener lados planos y bordes cuadrados.
- No intente rebajar piezas de trabajo muy grandes en una mesa rebajadora. Las piezas de trabajo muy grandes pueden ser difíciles de controlar y pueden hacer que la mesa rebajadora se voltee.
- Solo utilice brocas para rebajadoras en la rebajadora. Nunca utilice herramientas como rebabas para tallar, abrasivos montados, discos de alambre o brocas, incluso si los vástagos se ajustan al diámetro del mandril de la rebajadora.
- Utilice guantes para manipular las brocas para rebajadora. Los bordes de corte son filosos.
- Nunca utilice brocas para rebajadora sucias, desafiladas o dañadas. Retire la acumulación de madera y resina con un limpiador formulado específicamente para herramientas de corte. Pídale a una persona calificada que afile las brocas desafiladas. Deseche las brocas dañadas.
- Asegúrese de que al menos el 75 % de la longitud del vástago de la broca para rebajadora esté sujeta en el mandril de la rebajadora de manera segura. Para garantizar un agarre seguro, deje de 1/16 pulg a 1/8 pulg (2 mm a 3 mm) entre el extremo del vástago de la broca y la parte inferior del mandril.

- j) **Utilice el anillo reductor de la placa de accesorio con la apertura más reducida que permite que la broca la atraviese.** Un espacio grande alrededor de la broca puede permitir que la pieza de trabajo se voltee dentro de la broca y retroceda.
- k) **Ubique las caras de la guía lo más cerca posible de la broca.** Gire la broca a mano para revisar si hay interferencias. Apriete firmemente las perillas en T de las caras de la guía antes de realizar el rebajado.
- l) **Ajuste la velocidad de la rebajadora para que coincida con el diámetro de la broca.** Reduzca la velocidad de la rebajadora cuando utilice brocas de diámetro grande. Consulte la **tabla 2** para ver las velocidades de la rebajadora recomendadas.
- m) **Asegúrese de que el motor de la rebajadora esté sujeto con firmeza a la base antes de encender la rebajadora.**
- n) **Siempre dé apoyo a la pieza de trabajo con la guía o con el pasador de inicio.** Use el pasador de inicio solo con las brocas para rebajadora que tienen un rodamiento guía.
- o) **Cuando utilice la guía, siempre coloque la protección para broca sobre la broca para rebajadora, y lo más cerca posible de la superficie de la pieza de trabajo.**
- p) **Nunca retire una gran cantidad de material en un corte.** Realice varios cortes más profundos de manera progresiva y ajuste la broca para rebajadora o la posición de la guía entre cortes.
- q) **Mantenga las manos alejadas de la broca giratoria y el cuerpo alejado de su trayectoria.** Siempre utilice la protección para broca; utilice varillas de empuje, bloques de empuje y tablas con canto biselado siempre que sea posible, en especial cuando rebaje piezas de trabajo delgadas. Apague la rebajadora antes de remover piezas de desecho.
- r) **Evite posiciones incómodas de las manos, donde un resbalón repentino podría provocar el contacto con la broca giratoria.** No se extienda demasiado.
- s) **Evite rebajar piezas pequeñas.** Rebaje el perfil de una pieza de trabajo grande y, luego, corte la pieza al tamaño final a partir de la pieza de trabajo grande. Si debe rebajar una pieza pequeña, cree una plantilla apropiada o sostenga la pieza con una abrazadera manual a tomillo.
- t) **Asegúrese de que la pieza de trabajo esté alejada de la broca y de que esta se detenga completamente antes de ajustar la posición de la pieza de trabajo.** Nunca encienda la rebajadora con la pieza de trabajo en contacto con la broca.
- u) **Evite los contragolpes. Los contragolpes se producen cuando la pieza de trabajo se atasca o se levanta de la mesa mientras se rebaja, lo que causa que retroceda hacia el operador.** Para evitar los contragolpes y las posibles lesiones, utilice brocas afiladas, mantenga la máquina alineada y con el debido mantenimiento y sostenga correctamente la pieza de trabajo. No intente rebajar piezas de trabajo deformes, torcidas o curvadas, ni que tengan nudos sueltos.
- v) **Pase la pieza de trabajo contra el giro de la broca, no en la misma dirección que este.** La broca puede sujetar una pieza de trabajo alimentada con el giro de la broca, expulsarla violentamente de la mesa rebajadora y puede hacer que su mano toque la broca.
- w) **Nunca atrape una pieza de trabajo entre la broca y la guía.** Cuando le dé forma a un perfil en el borde recto de una pieza de trabajo, siempre rebaje con la broca colocada en la guía y el borde de la pieza de trabajo contra la guía.
- x) **Siempre que rebaje un perfil en el cual el material no se quita debajo de la parte que sobresale de la broca, o que una parte del perfil esté atrapada entre los cortadores por encima y por debajo, tome precauciones adicionales para evitar que la pieza de trabajo se levante de la superficie de la mesa durante el rebajado.** Una pieza de trabajo que se levanta de la mesa puede retroceder y causar lesiones personales graves. Cuando rebaje los perfiles, es especialmente importante usar material recto y plano, y evitar material deforme, torcido o curvado.
- y) **Revise periódicamente si están apretados los sujetadores, el ajuste y las perillas de bloqueo, y la alineación de la guía.** Las perillas y los sujetadores flojos y una guía desalineada pueden causar lesiones personales.
- z) **Este accesorio de mesa para rebajadora está diseñado para una aplicación específica. No la modifique ni la use para otra aplicación.** Si tiene preguntas relacionadas con la aplicación del accesorio, NO lo use hasta ponerse en contacto con Kreg Tool Company y recibir la orientación correspondiente.

Pautas para el uso de extensiones eléctricas

Las extensiones eléctricas son solo para uso temporal. No reemplazan la necesidad de instalar tomacorrientes y el cableado adecuado cuando sea necesario.

En el taller y en los sitios de construcción:

1. Se deben usar extensiones eléctricas con conductor de puesta a tierra del equipo en todo momento.
2. Las extensiones eléctricas deben protegerse de daños y no deben tenderse a través de puertas o ventanas porque estas pueden cerrarse y dañar el cable.
3. Las extensiones eléctricas deben ser de 16 AWG como mínimo y tener una clasificación adecuada para el equipo que se utiliza.
4. Las extensiones eléctricas deben inspeccionarse periódicamente para garantizar que el aislamiento y la conductividad de los conductores no se vean comprometidos.
5. Las extensiones eléctricas no deben tenderse sobre agua y no se debe permitir que las conexiones estén expuestas a agua acumulada.

TABLA 1

Amperes de la placa de datos @120 V	Largo de la extensión eléctrica					
	25'	50'	75'	100'	150'	200'
	Calibre de cable recomendado					
0 - 5	16	16	16	14	12	12
5.1 - 8	16	16	14	12	10	NR
8.1 - 12	14	14	12	10	NR	NR
12.1 - 16	12	12	NR	NR	NR	NR

NR: No recomendado

TABLA 2

Velocidades de la rebajadora recomendadas	
Diámetro de la broca	Velocidad máxima (RPM)
Hasta 1" (25 mm)	24,000
de 1¼" a 2" (de 32 mm a 51 mm)	18,000
de 2¼" a 2½" (de 57 mm a 64 mm)	16,000
de 3" a 3½" (de 76 mm a 89 mm)	12,000

Siempre siga las recomendaciones del fabricante respecto a la velocidad de la broca. Algunos de los diseños de broca requieren velocidades específicas para un rendimiento seguro.

⚠ Advertencia: este producto puede exponerlo a sustancias químicas, incluidas el acrilonitrilo y otros químicos, reconocidas por el estado de California como causantes de cáncer o daños en el aparato reproductivo. Para obtener más información, visite www.P65Warnings.ca.gov.

⚠ Advertencia: Los productos para taladrar, aserrar, lijar o cortar madera pueden exponerlo al polvo de madera, una sustancia reconocida por el estado de California como causante de cáncer. Evite inhalar el polvo de la madera o utilice una mascarilla antipolvo u otros artículos de protección personal. Para obtener más información, visite www.P65Warnings.ca.gov.

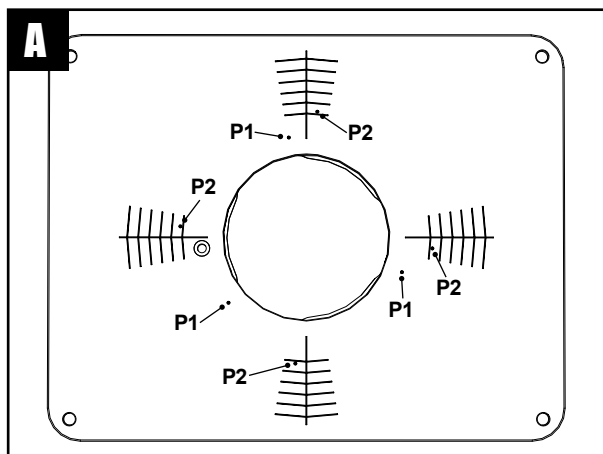
Antes de comenzar...

Estas instrucciones le muestran cómo montar su placa de accesorio de la mesa para rebajadora de precisión Kreg e instalar la placa de accesorio en una mesa para rebajadora fabricada en taller. Existen dos métodos de instalación:

- Crear una abertura con un borde ranurado que acepte la placa de accesorio.
- Crear una abertura de lado recto e instalar los niveladores de la placa de accesorio de la mesa para rebajadora de precisión Kreg (se venden por separado).

Las placas de accesorio PRS4034 y PRS4036 vienen pretaladradas y son compatibles con la mayoría de las rebajadoras Triton, Bosch y Porter-Cable. Para estas placas, simplemente apriete la base de la rebajadora a la placa de accesorio con los tornillos que se proporcionan con la placa.

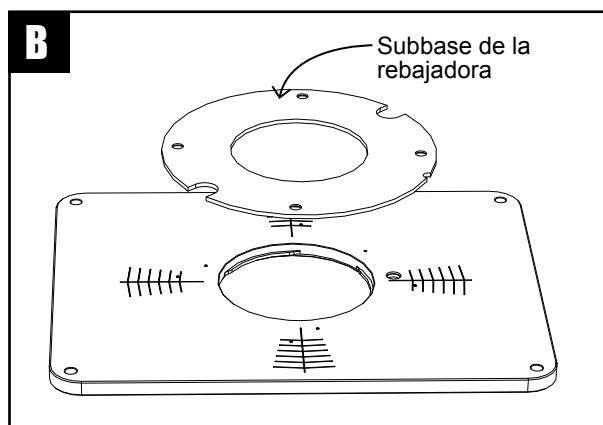
Taladrado de la placa de accesorio.



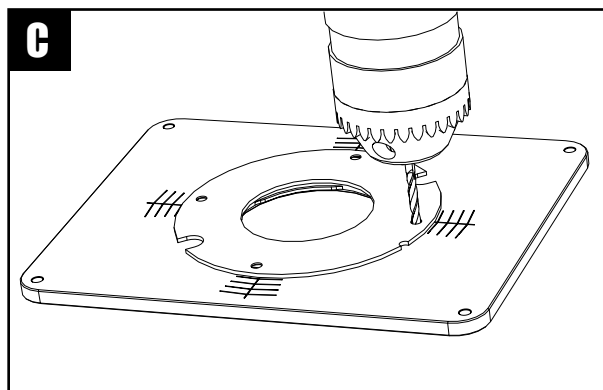
1. PRS4038 tiene puntos centrales moldeados en la superficie inferior para taladrar los orificios de montaje de las siguientes rebajadoras **[dibujo A]**: **Diseño 1** (tres orificios): Bosch 1617 y 1618; DeWalt 616 y 618; Hitachi M12VC; Makita 1100; Milwaukee 5616 y 5624; Porter-Cable 690, 890, 7529, 97529 y 8529; y kit combinado Ridgid 2930. **Diseño 2** (cuatro orificios): Milwaukee 5625-20; Porter-Cable 7518, 7519, 7538 y 7539; y Triton TRA001 y MOF001.

Taladre orificios y orificios escariados o avellanadores para ajustar los tornillos de montaje que se suministran con la rebajadora. Para las rebajadoras equipadas con un sistema de elevación integrado, use la subbase de la rebajadora como guía para colocar y medir el tamaño del orificio de acceso y como guía para taladrar.

Para las rebajadoras que no están incluidas en el **Diseño 1** y el **Diseño 2**, siga los **pasos 2 y 3**, a continuación.



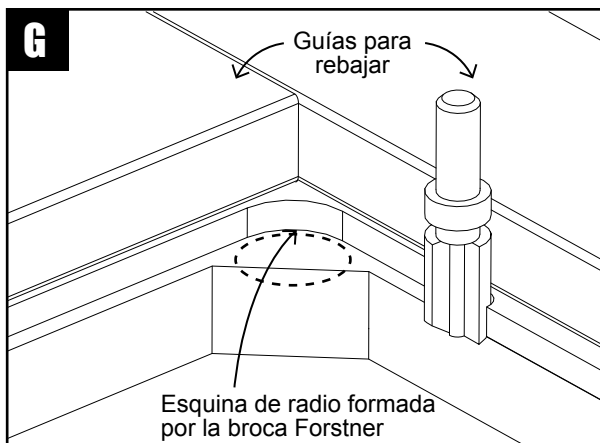
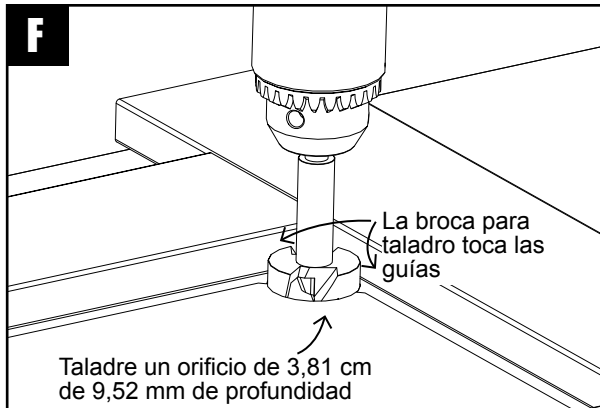
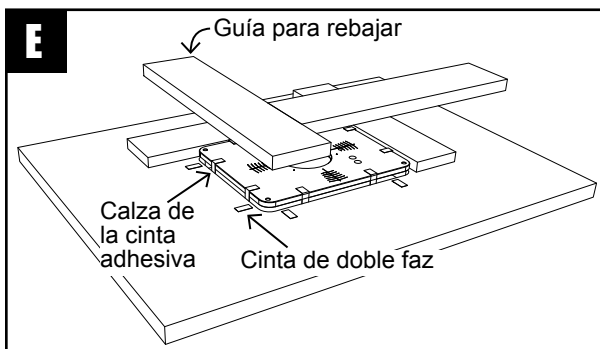
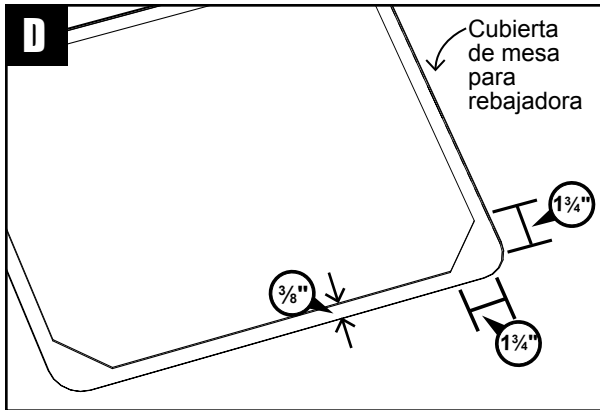
2. Coloque la placa de accesorio sobre el banco de trabajo con el diseño objetivo hacia arriba. Retire la subbase de la rebajadora y seleccione una broca para taladro que encaje en los orificios de montaje. Si la rebajadora está equipada con un sistema de elevación integrado, también seleccione una broca que encaje en el orificio de acceso a la elevación. Aplique varios trozos pequeños de cinta de doble faz a la subbase. Centre la subbase en la placa de accesorio usando el diseño objetivo como guía **[dibujo B]**. Tenga presente el lugar donde desea ubicar los controles de la rebajadora. Asegúrese de que ninguno de los orificios que está por taladrar se alinee con el orificio roscado para el pasador de inicio. Presione la subbase firmemente sobre la placa de accesorio.



3. Coloque una tabla de apoyo de madera que no utilice debajo de la placa de accesorio y sujete firmemente la placa de accesorio y el apoyo a su mesa de la prensa de taladrar. Usando los orificios en la subbase como guía, taladre orificios en la placa de accesorio **[dibujo C]**. Con los orificios taladrados, retire la subbase de la placa de accesorio. Voltee la placa de accesorio y avellane los orificios de montaje de modo que las cabezas de los tornillos de montaje queden levemente bajo la superficie de la placa cuando los apriete. Almacene la subbase de la rebajadora en un lugar conveniente. La necesitará al retirar la rebajadora de la mesa para rebajadora para rebajar manualmente.

Forme la abertura de la placa de accesorio en la cubierta de su mesa para rebajadora

Método de apertura ranurada



1. Coloque la placa de accesorio en la cubierta de su mesa para rebajadora, colocando la placa a escuadra con la mesa. Trace una línea alrededor de la placa con un lápiz. Retire la placa. Para formar áreas para fijar los cuatro tornillos para metal de cabeza plana de $\frac{1}{4}$ -20 x $1\frac{3}{4}$ " (tornillos para fijación) que aseguran la placa de accesorio a la cubierta de la mesa para rebajadora, dibuje líneas de 45° a lo largo de cada esquina del contorno para formar triángulos con tramas de 4,44 cm de largo **[dibujo D]**. Dibuje líneas de 9,52 mm en el interior y paralelas al contorno de la placa de accesorio trazado.

2. Para dejar espacio para instalar y retirar la placa de accesorio, adhiera tiras de cinta adhesiva a los cuatro bordes de la placa. Luego aplique pequeñas piezas de cinta de doble faz a una cara. (Use solo la cinta suficiente para mantener la placa en su lugar. Si aplica mucha cinta, luego será difícil retirar la placa.) Vuelva a colocar la placa en la cubierta de su mesa para rebajadora y presiónela para que se ajuste en su sitio.

3. Corte cuatro guías para rebajar de 1,90 cm x 8,89 cm x 39,37 cm de trozos de madera que no utilice. Aplique cinta de doble faz y adhiera las guías para rebajar a la cubierta de la mesa para rebajadora con los bordes contra las tiras de cinta adhesiva sobre los bordes de la placa de accesorio **[dibujo E]**. Retire la placa. Coloque una broca Forstner de $1\frac{1}{2}$ " con el portabrocas en su prensa de taladrar. Taladrando orificios de prueba en el área de la cubierta de mesa para rebajadora que va a retirar para insertar la placa, ajuste la profundidad a 9,52 mm. Con el borde de la broca tocando ligeramente las caras interiores de las guías para rebajar, taladre un orificio de 9,52 mm de profundidad en la cubierta de mesa para rebajadora en cada esquina **[dibujo F]**.

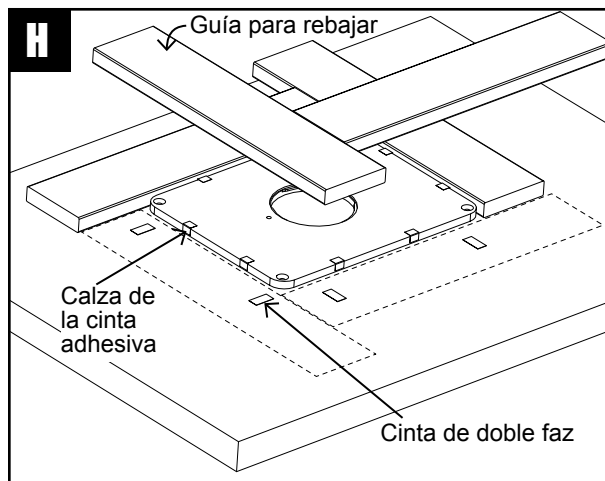
4. Taladre un orificio de comienzo de aspa dentro de las líneas dibujadas a lápiz. Con el borde externo de la base de su sierra de vaivén sobre las guías para rebajar y el borde interior sostenido por un bloque de madera que no utilice de 1,90 cm, corte justo dentro de las líneas, dejando un área de 9,52 mm de ancho dentro del contorno de la placa de accesorio y en las áreas triangulares en cada esquina.

5. Coloque una broca para diseño de rodamiento superior con un portabrocas con una profundidad de corte de 1,90 cm en su rebajadora. Ajuste la profundidad de corte al grosor de la placa de accesorio más la guía para rebajar. Haga cortes de prueba en material que no utilice para asegurarse de que la profundidad del corte coincida exactamente con el grosor de la placa de accesorio. Rebaje la ranura del perímetro y los triángulos de las esquinas en varias pasadas hasta que el rodamiento guía de la broca para diseño pase sin problemas contra los bordes de las guías para rebajar **[dibujo G]**. Asegúrese de detener el rebaje en cada lado cuando las esquinas de radio de 1,90 cm formadas por los orificios taladrados se encuentren con las guías para rebajar. Con cuidado, retire la guía para rebajar y pruebe el calce de la placa de accesorio en la apertura. Si la ranura es muy superficial, vuelva a colocar la guía, ajuste la profundidad de rebaje y vuelva a rebajar la ranura. Una ranura demasiado baja puede acuñarse con cinta. Cuando esté satisfecho con el calce, retire las guías para rebajar.

6. Con la placa de accesorio en posición, use los orificios de la esquina avellanada como guías para taladrar agujeros de 6,35 mm en las áreas de esquina triangulares en la cubierta de la mesa. Fije la placa con los tornillos para fijación y sus propias arandelas y tuercas hexagonales o tuercas de mariposa. Para mayor conveniencia, retire la placa de accesorio, agrande los orificios en la cubierta de mesa e instale tuercas en T.

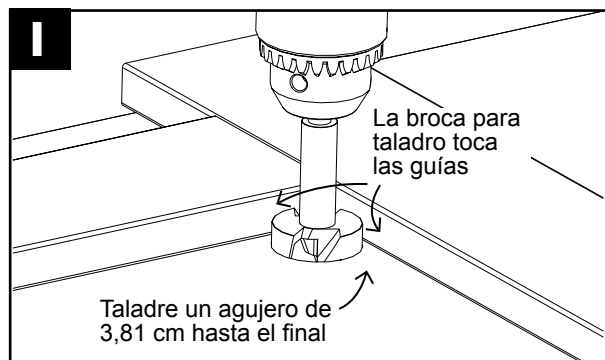
Método de niveladores de la placa de accesorio para mesa de rebajadora de precisión Kreg

¡ATENCIÓN! Para este método, es necesario comprar niveladores de la placa de accesorio de la mesa para rebajadora de precisión Kreg en su distribuidor Kreg. Estos niveladores incluyen ocho tornillos de nivelación que trabajan con cuatro tornillos para fijación para mantener la placa de accesorio al ras con la superficie de la mesa para rebajadora.



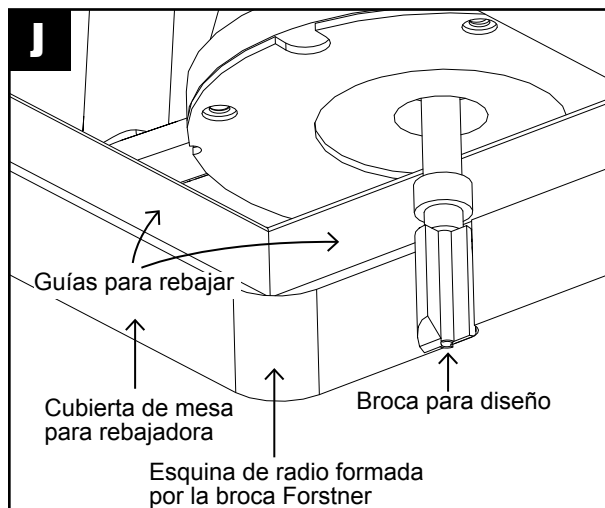
1. Para dejar espacio para instalar y retirar la placa de accesorio, adhiera tiras de cinta adhesiva a los cuatro bordes de la placa. Luego aplique pequeñas piezas de cinta de doble faz a una cara. (Use solo la cinta suficiente para mantener la placa en su lugar. Si aplica mucha cinta, luego será difícil retirar la placa.) Coloque la placa de accesorio en la cubierta de su mesa para rebajadora, colocando la placa a escuadra con la mesa y presionándola firmemente para que se ajuste en su lugar.

2. Corte cuatro guías para rebajar de 1,90 cm x 8,89 cm x 39,37 cm de trozos de madera que no utilice. Aplique cinta de doble faz y adhiera las guías para rebajar a la cubierta de la mesa para rebajadora con los bordes contra las tiras de cinta adhesiva sobre los bordes de la placa de accesorio [dibujo H]. Retire la placa. Coloque una broca Forstner de 1½" con el portabrocas en su prensa de taladrar. Con el borde de la broca tocando ligeramente las caras interiores de las guías para rebajar, taladre un orificio hasta el final en la cubierta de mesa para rebajadora en cada esquina [dibujo I].



3. Corte ásperamente la abertura con una sierra de vaivén, manteniéndose 3,17 mm dentro de las guías para rebaje y cortando de orificio de esquina a orificio de esquina. Para obtener mejores resultados, apoye el borde interior de la base de la sierra de vaivén con un bloque de madera que no utilice de 1,90 cm.

4. Coloque una broca para diseño de rodamiento superior con un portabrocas en su rebajadora. Con el rodamiento guía pasando contra las guías para rebajar, rebaje los bordes de la apertura [dibujo J]. Detenga el rebaje cuando las esquinas de radio de 1,90 cm formadas por los orificios taladrados se encuentren con las guías para rebajar. Si el grosor de su cubierta de mesa para rebajadora es mayor que el alcance de su broca para diseño, cambie a una broca de corte al ras con rodamiento inferior, dé vuelta la cubierta de mesa para rebajadora y termine el corte con el rodamiento guía de la broca de corte al ras pasando contra la superficie rebajada con la broca para diseño. Retire las guías para rebajar.

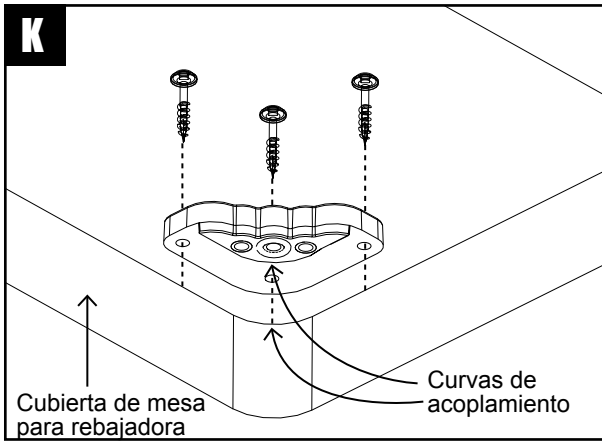


Instale la placa de accesorio

Método de apertura ranurada

1. Fije la base de la rebajadora a la placa de accesorio usando los tornillos que se usaron para fijar la subbase a la base de la rebajadora. Según el grosor de la subbase de la rebajadora, puede que sea necesario comprar tornillos más largos. Asegúrese de que los tornillos sean lo suficientemente largos para enroscarse por completo en la base de la rebajadora. Para rebajadoras de base fija, instale la unidad de motor en la base de la rebajadora e instale la placa de accesorio, con la rebajadora fija, en la mesa.

2. Haga pasar los cuatro tornillos para fijación por los orificios avellanados en la placa de accesorio y enrósquelos en la tuerca hexagonal, tuerca de mariposa o tuerca en T. Apriete los tornillos.



Método de niveladores de la placa de accesorio para mesa de rebajadora de precisión Kreg

1. Con la cubierta de mesa boca abajo, coloque un nivelador de placa de accesorio en una esquina de la abertura de la cubierta de mesa, haciendo coincidir la curva en la parte elevada del nivelador con la esquina de radio de la abertura. Sostenga firmemente el nivelador en su lugar y, con los tres tornillos de montaje en la brida del nivelador como guías, taladre orificios guía en la cubierta de mesa. Fije el nivelador a la cubierta de la mesa con tres tornillos de rosca gruesa de 1/4" que se proporcionan **[dibujo K]**. Repita con el resto de los niveladores.

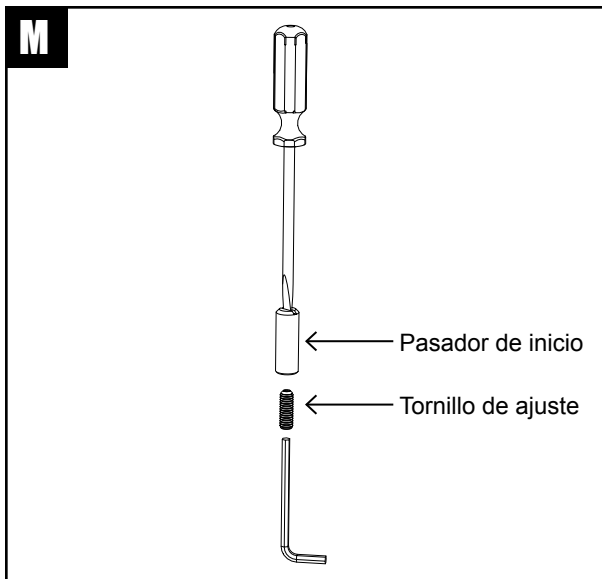
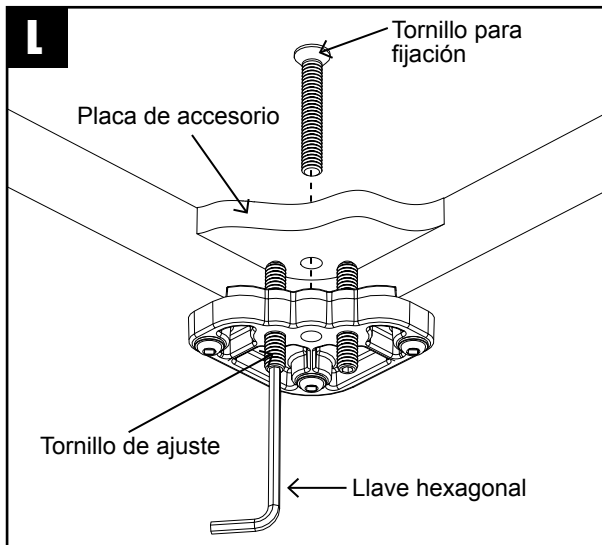
¡ATENCIÓN! Los tornillos con roscado de ángulo grande de 1/4" que se proporcionan con los niveladores son para usarse en cubiertas de mesa para rebajadora con un grosor mínimo de 2,54 cm. Para cubiertas más delgadas, use sus propios tornillos más cortos.

2. Usando la llave de tuercas hexagonal de 1/8", inserte un tornillo de ajuste con cabeza de llave de 1/4-20 x 1/2" en cada orificio exterior en cada nivelador, apretándolos desde la parte inferior hasta que las puntas estén 9,52 mm por debajo de la superficie de la mesa.

3. Para las placas de accesorio de precisión PRS4034 y PRS4036 de Kreg, fije la base para rebajadora a la placa de accesorio con los tornillos que se proporcionan con la placa. Para la placa de accesorio de precisión PRS4038 Kreg, use los tornillos que se usaron para adjuntar la subbase a la base de la rebajadora para adjuntar la base de la rebajadora a la placa de accesorio. Asegúrese de que los tornillos sean lo suficientemente largos para enroscarse por completo en la base de la rebajadora. Podría ser necesario comprar tornillos más largos. Para rebajadoras de base fija, instale la unidad de motor en la base de la rebajadora.

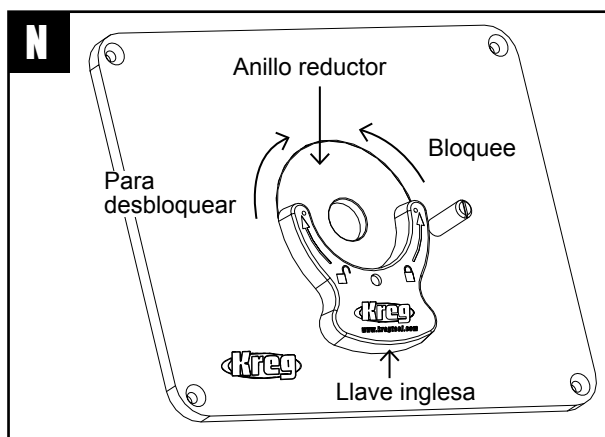
4. Coloque la placa de accesorio con la rebajadora fija en la abertura de la cubierta de la mesa, apoyándola en los ocho tornillos de ajuste. Con la llave de tuercas hexagonal, ajuste los tornillos de ajuste desde debajo de la mesa para alinearlos con las superficies de la placa y la mesa. Compruebe la alineación con un borde recto. Asegúrese de que los ocho tornillos de ajuste estén en igual contacto con la placa de accesorio.

5. Atornille los cuatro tornillos para metales de 1/4-20 x 1 3/4" (tornillos para fijación) a través de los orificios avellanados en la placa de accesorio y en el orificio central de cada nivelador y ajuste hacia abajo **[dibujo L]**. Es posible que sea necesario ajustar los tornillos para fijación y los tornillos de ajuste para ajustar con precisión el alineamiento.



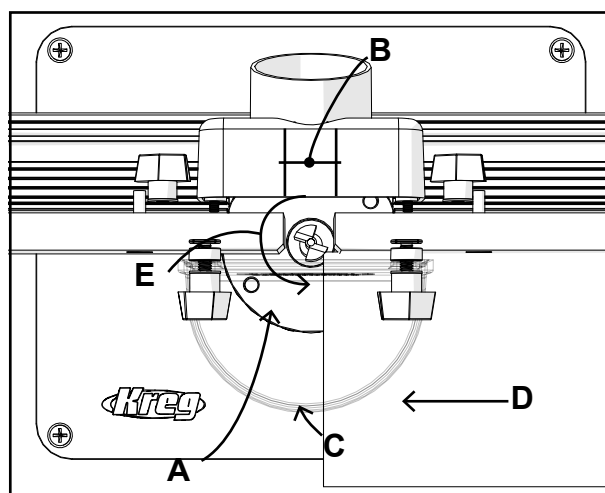
Cómo terminar

1. Atornille el tornillo de ajuste de 1/4-20 x 3/4" en la parte inferior del pasador de inicio de latón con un destornillador de cabeza plana y una llave de tuercas hexagonal de 1/8", hasta que ambos queden unidos firmemente **[dibujo M]**. Cuando esté listo para usar, enrosque el ensamble del pasador de inicio en el orificio roscado de la placa de accesorio y apriételo.



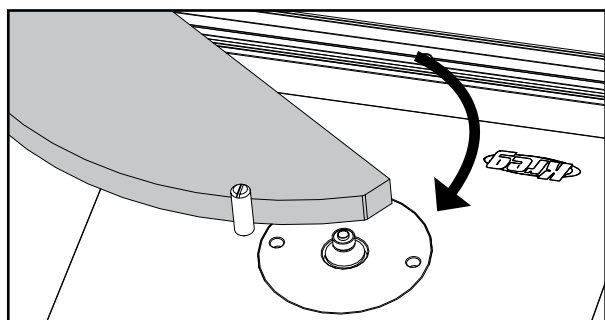
2. Para instalar un anillo reductor, simplemente déjelo caer en la abertura de la placa de accesorio y gírelo a mano hasta que quede al ras con la superficie de la placa. Inserte las espigas en los extremos de los brazos de la llave de tuercas de anillo en los orificios de acoplamiento del anillo reductor y gire el anillo en dirección contraria a las manecillas del reloj [dibujo N]. Una rotación de aproximadamente 9,52 mm es suficiente para bloquear el anillo en su lugar. Para retirar el anillo, gire la llave en dirección de las manecillas del reloj y levante el anillo para extraerlo de la abertura.

¡ATENCIÓN! La placa de accesorio de precisión Kreg incluye tres anillos reductores de bloqueo de nivel para flexibilidad al hacer coincidir el tamaño de la abertura de la placa de accesorio con el diámetro de la broca para rebajadora en uso. El anillo con la abertura ranurada acepta conectores guía estilo universal estándar, permitiéndole usar la mesa para rebajadora para rebajar diseños. Hay disponible un juego de cuatro anillos reductores adicionales más un disco en blanco para hacer un anillo sin espacio libre en el distribuidor Kreg.



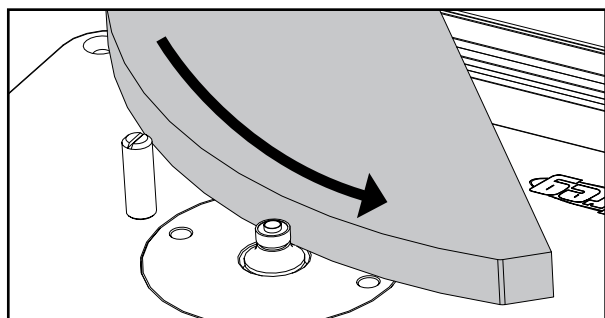
Rebajado en general

(A) Utilice el anillo reductor de la placa de accesorio con la apertura más reducida que permite que la broca la atraviese. (B) Ubique las caras de la guía lo más cerca posible de la broca. Gire la broca a mano para revisar si hay interferencias. Apriete firmemente las perillas en T de las caras de la guía antes de realizar el rebajado. (C) Coloque la protección para broca sobre la broca para rebajadora y lo más cerca posible de la superficie de la pieza de trabajo. (D) Haga pasar la pieza de trabajo en dirección contraria a la rotación de la broca, no en la misma dirección (E).

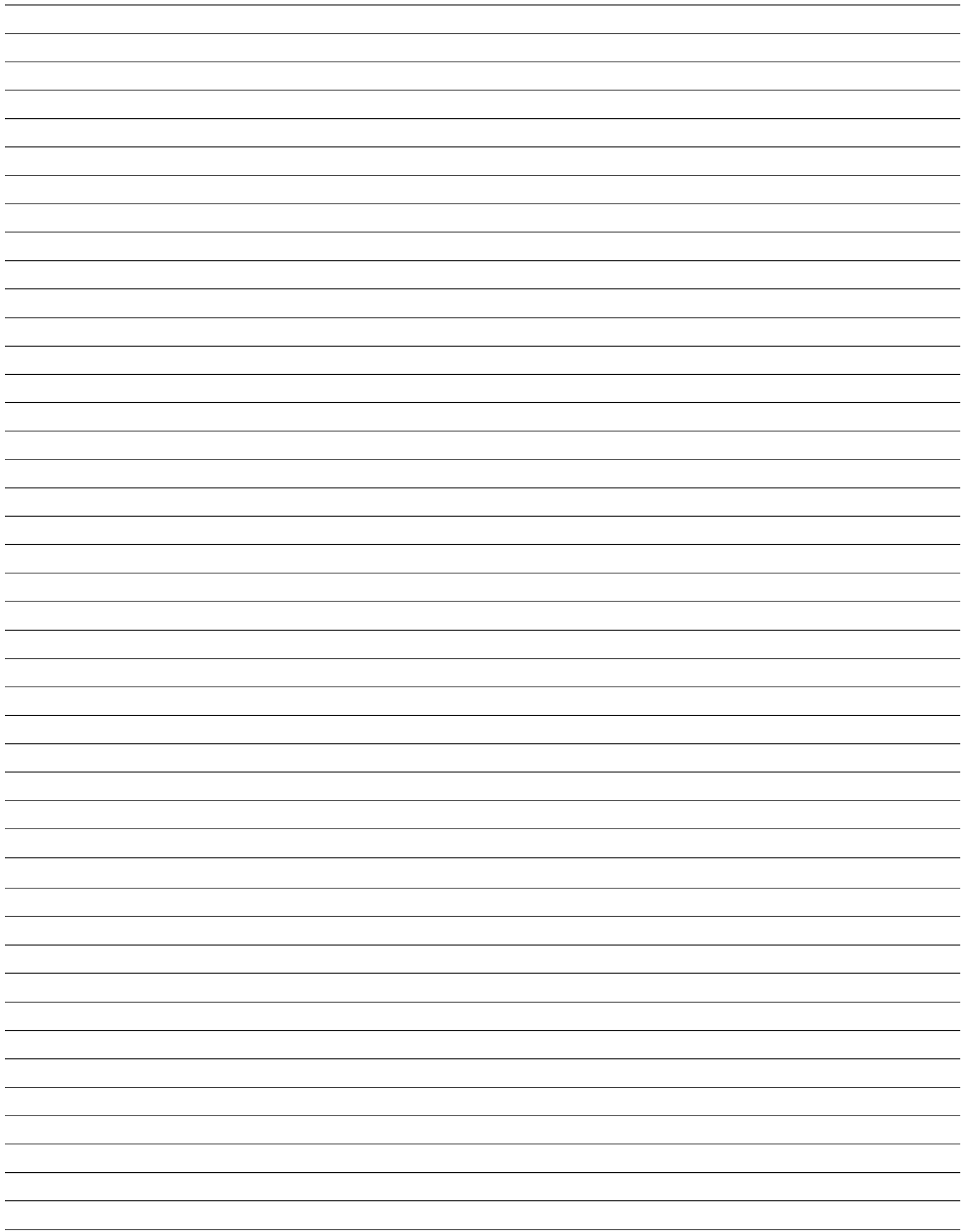


Pasador de inicio

Para usar el pasador de inicio, comience con la pieza de trabajo que toca el pasador de inicio, pero sin contacto con la broca para rebajadora. Gire lentamente la pieza de trabajo en la broca hasta que la pieza de trabajo haga contacto con el rodamiento guía de la broca. Siempre alimente la pieza de trabajo de modo que la broca para rebajadora gire contra (no con) la dirección de alimentación. Con la pieza de trabajo en contacto firme con el rodamiento guía, retire la pieza de trabajo del pasador de inicio y aliméntela a lo largo del rodamiento guía.



¡ADVERTENCIA! Use el pasador de inicio cuando realice el rebajado en bordes curvos y solo con las brocas para rebajadora que tienen un rodamiento guía. Al rebajar en bordes rectos, siempre use la guía.





www.kregtool.com • 800.447.8638

For assistance with any Kreg product, contact us through our Web site or call Customer Service.

Si vous avez besoin d'aide concernant les articles Kreg, communiquez avec nous sur notre site Web ou appelez notre service à la clientèle.

Si requiere asistencia con cualquier producto Kreg, póngase en contacto con nosotros a través del sitio web o llame al Servicio al Cliente.